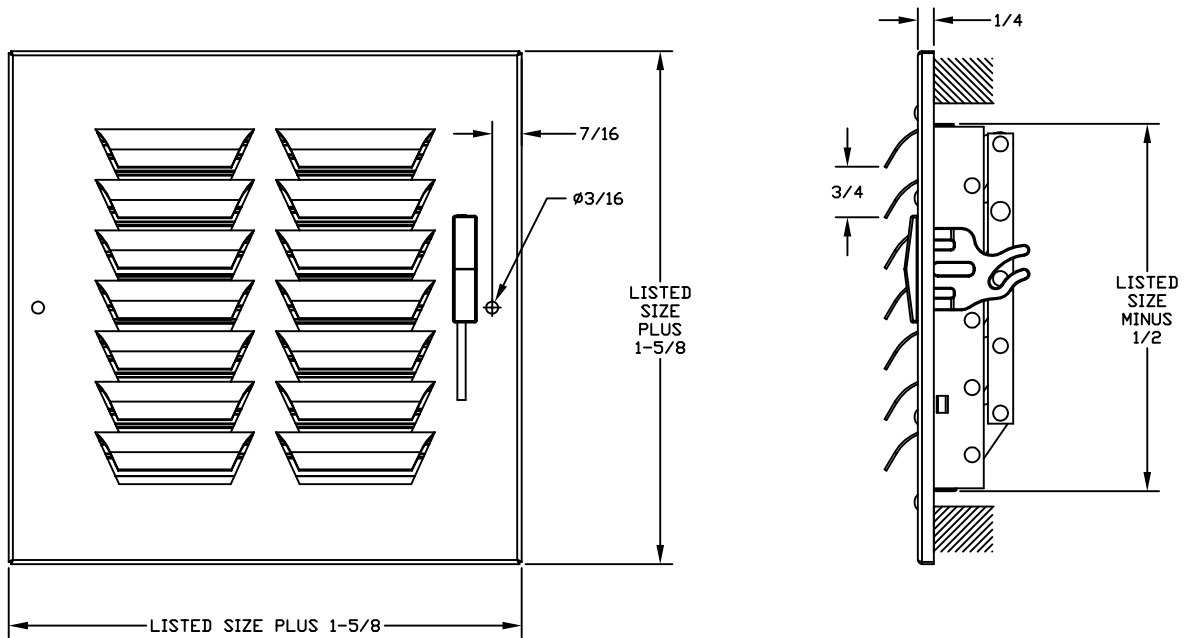
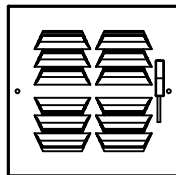
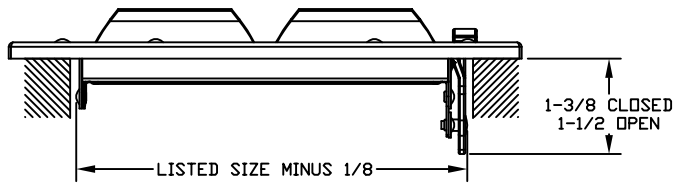


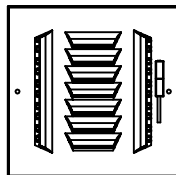
- FACE MATERIAL: .032-.040 ALUMINUM
- INTEGRAL STEEL MULTI-SHUTTER DAMPER
  - SIZES VARY BY FACE STYLE
  - FINISH: WHITE (W) ENAMEL



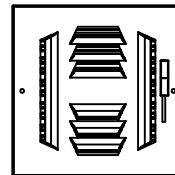
1-WAY, A301



2-WAY, A302



3-WAY, A303



4-WAY, A304

DAMPER AND DIMENSIONS ARE TYPICAL FOR ALL DEFLECTIONS

JOB NAME: _____	SUBMITTED BY: _____	DATE: 08/06/2020	SD-2500
LOCATION: _____		<b>A300</b> Stamped Aluminum Curved Blade Register	
ARCHITECT: _____			
ENGINEER: _____			
CONTRACTOR: _____			