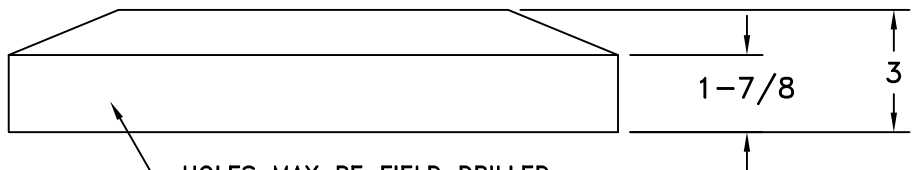
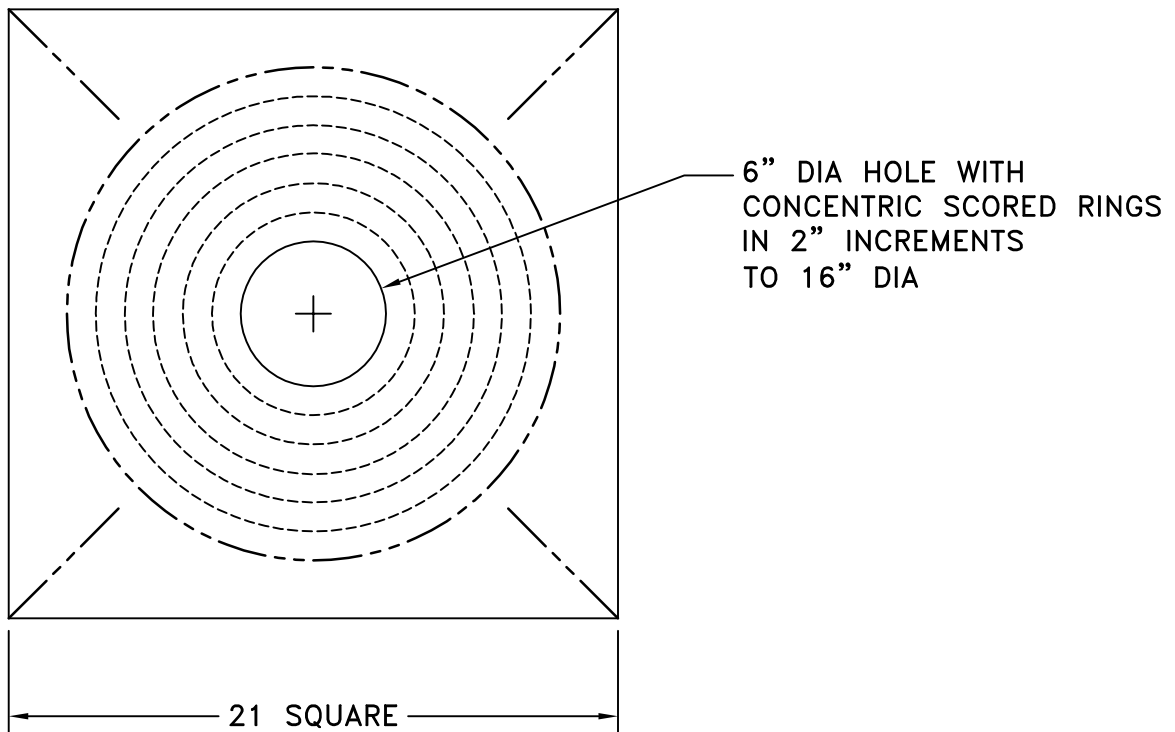


- ENGINEERED UV RESISTANT POLYMER CONSTRUCTION
- BACKPANEL FOR THE REZZIN MODULAR CORE DIFFUSER, AND THE REZZIN EGGRATE FILTER RETURN
- COMES IN ONE SIZE THAT CAN BE ADAPTED TO FIT 6" THROUGH 16" COLLARS. INSTALLER CUTS PRE-SCORED RINGS TO ADAPT THE BACK PANEL TO 8", 10", 12", 14", OR 16"
- USES TAB COLLAR (16" TAB COLLAR BY OTHERS)
- NO METAL PARTS



HOLES MAY BE FIELD DRILLED TO SECURE TO BACK OF DIFFUSER WITH FASTENERS (BY OTHERS), IF REQUIRED BY CODE. OTHERWISE FRICTION FIT IS SUFFICIENT

JOB NAME: _____	SUBMITTED BY: _____	DATE: 05/08/2014	RZ-2155
LOCATION: _____		<b>REZZIN BACK PANEL</b>	
ARCHITECT: _____			
ENGINEER: _____			
CONTRACTOR: _____			