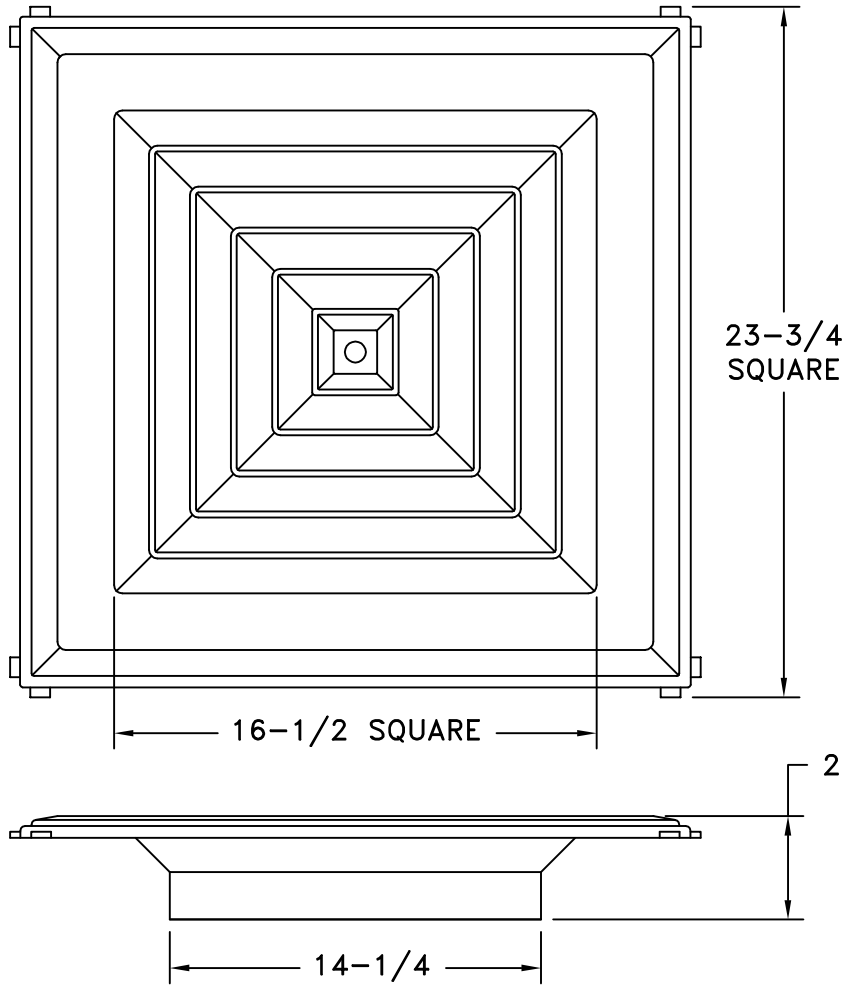


- ENGINEERED UV RESISTANT POLYMER CONSTRUCTION
- 4-WAY DEFLECTION
- SQUARE TO ROUND ADAPTER AVAILABLE IN 6", 8", 10", 12" AND 14" SIZES. MUST BE ORDERED SEPARATELY, MODEL **REZZIN.SQ TO RD**
- CONTAINS METAL SCREWS ON BACKSIDE OF DIFFUSER TO AFFIX CORE
- REMOVEABLE CENTER PLUG TO ADJUST OPTIONAL RD DAMPER FOR RZSR
- DIFFUSERS INSTALLED IN GRID CEILING SYSTEMS SHOULD BE SUPPORTED INDEPENDENT OF THE CEILING HARDWARE
- FINISH: WHITE (W)



JOB NAME: \_\_\_\_\_  
 LOCATION: \_\_\_\_\_  
 ARCHITECT: \_\_\_\_\_  
 ENGINEER: \_\_\_\_\_  
 CONTRACTOR: \_\_\_\_\_

SUBMITTED BY: \_\_\_\_\_

DATE: 05/08/2014 | RZ-2153  
**REZZIN**  
**4-WAY DEFLECTION**  
 Louvered Diffuser