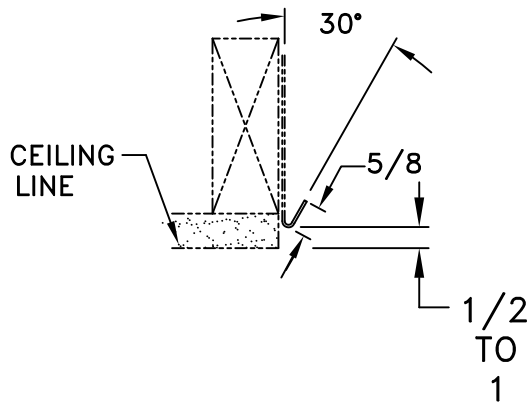


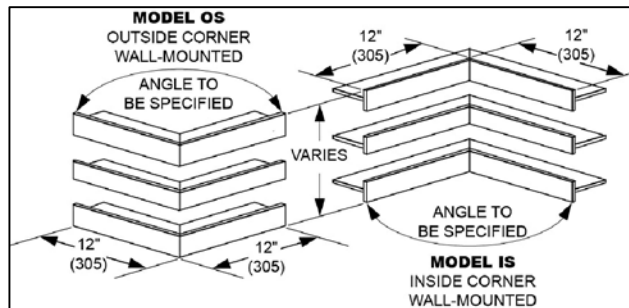
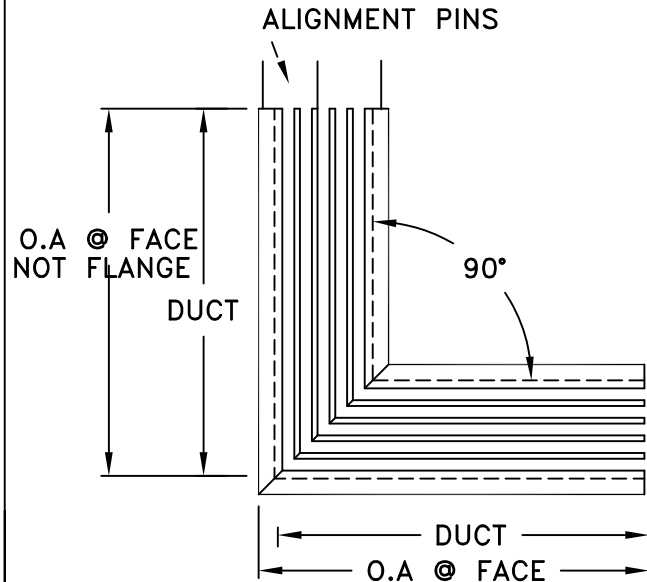
DETAIL OF HEMMED EDGE OF DUCT FOR MARGIN E1



• CONTRACTOR TO FRAME OPENING
TO INSURE STRAIGHT LINE INSTALLATION

'S' SERIES MITERED CORNERS

• 90° ANGLES STANDARD,



Q&A	FRAMES			DUCT
SLOTS	BO	EO/FO	E1/E2	LENGHT
1&2	12 5/16"	12 7/16"	12 3/8"	12"
3-8	24 5/16"	24 7/16"	24 3/8"	24"

JOB NAME: _____	SUBMITTED BY: _____	DATE: 01/05/2017	SD-9630
LOCATION: _____	<h3>S SERIES</h3> <p>Typical Details And Features</p>		
ARCHITECT: _____			
ENGINEER: _____			
CONTRACTOR: _____			