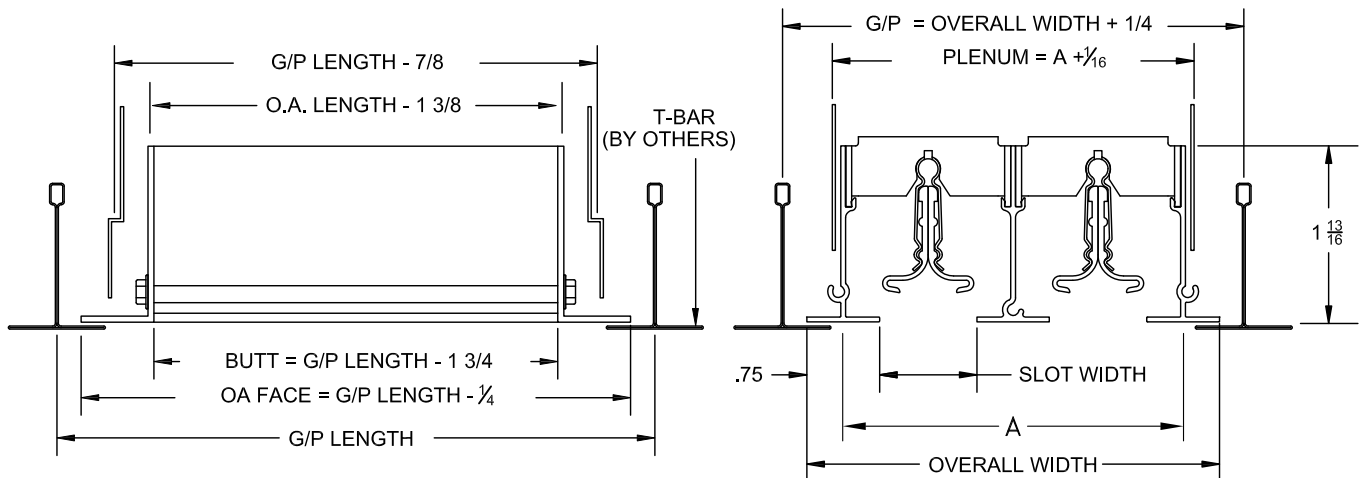


- EXTRUDED ALUMINUM CONSTRUCTION FOR LAY-IN T-BAR APPLICATIONS
- MINIMUM SIZE = 12 INCHES
- MAXIMUM SIZE = 72 INCHES ONE PIECE CONSTRUCTION
- MULTIPLE SECTIONS PINNED FOR PROPER ALIGNMENT
- DIFFUSERS AVAILABLE WITH ONE TO EIGHT SLOTS, WITH OR WITHOUT PATTERN CONTROLLER
- FINISH: WHITE (W) ENAMEL OR SATIN ANODIZED (SA)
- PATTERN CONTROLLER BLACK



- \* NOTE: NOT FOR NARROW LINE CEILING GRID SYSTEMS
- \* ORDER 23 3/4" AND 47 3/4" INCH WITH END CAPS FOR 2' & 4" LAY-IN
- \* NOTE ORDER 23" AND 47" DP PLENUMS

SLOT WIDTH	TYPE	A -NOMINAL WIDTH	DUCT WIDTH*	OVERALL WIDTH
1/2	50	1-1/4 X NO. OF SLOTS	A + 1/16	A + 7/8
3/4	75	1-1/2 X NO. OF SLOTS	A + 1/16	A + 7/8
1	10	1-3/4 X NO. OF SLOTS	A + 1/16	A + 7/8

JOB NAME: \_\_\_\_\_  
 LOCATION: \_\_\_\_\_  
 ARCHITECT: \_\_\_\_\_  
 ENGINEER: \_\_\_\_\_  
 CONTRACTOR: \_\_\_\_\_

SUBMITTED BY: \_\_\_\_\_

DATE: 03/22/2017 SD-9610

**S SERIES**  
 MOUNTING STYLE -BO  
 LAY-IN T-BAR STYLE