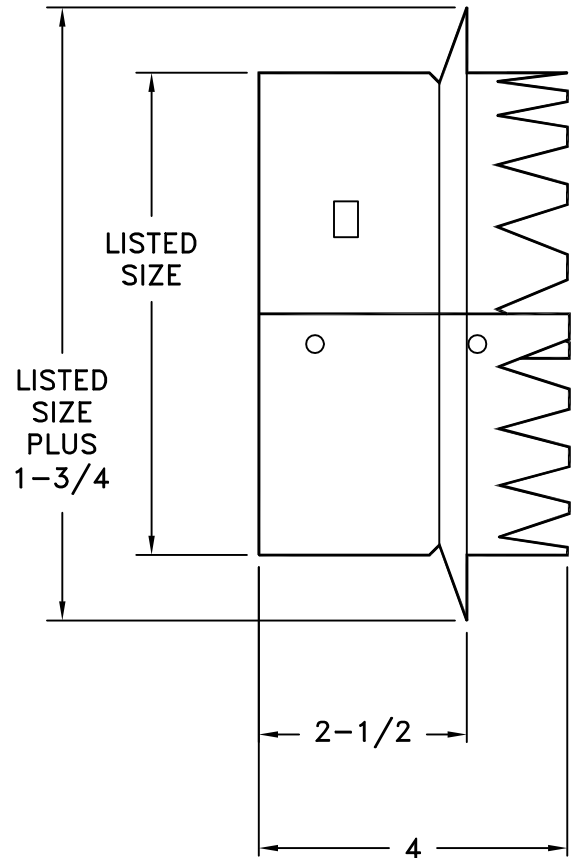
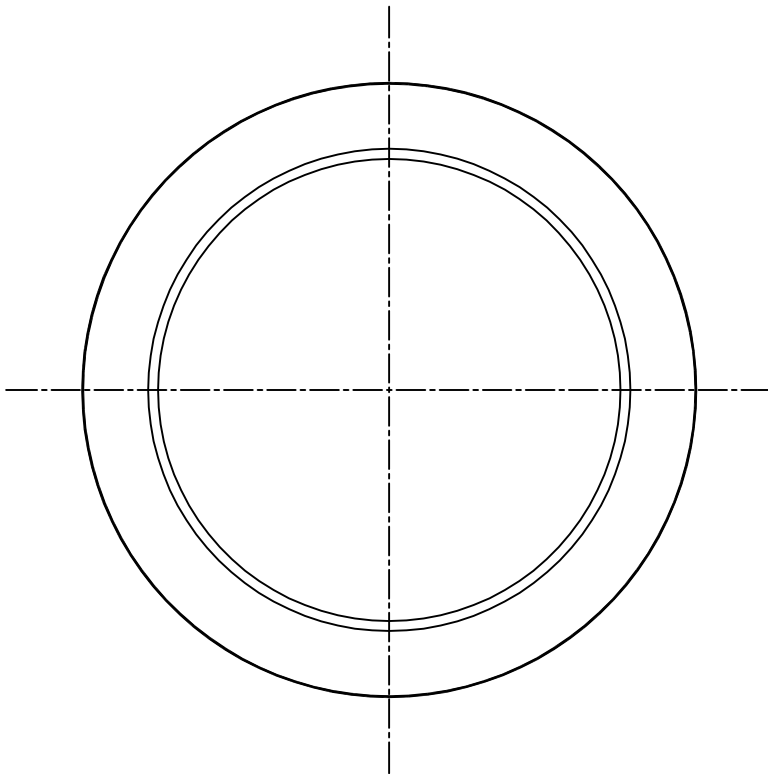


- GALVANIZED STEEL
- ACCEPTS 3800, T-19 OR RD DAMPERS
- SIZES AVAILABLE: 6, 8, 10, 12, & 14
- USED ON MOLDED FIBERGLASS AND DUCT BOARD BACKS



JOB NAME: \_\_\_\_\_  
 LOCATION: \_\_\_\_\_  
 ARCHITECT: \_\_\_\_\_  
 ENGINEER: \_\_\_\_\_  
 CONTRACTOR: \_\_\_\_\_

SUBMITTED BY: \_\_\_\_\_

DATE: 08/05/2013 | SD-9503  
**6400**  
 Tab Collar