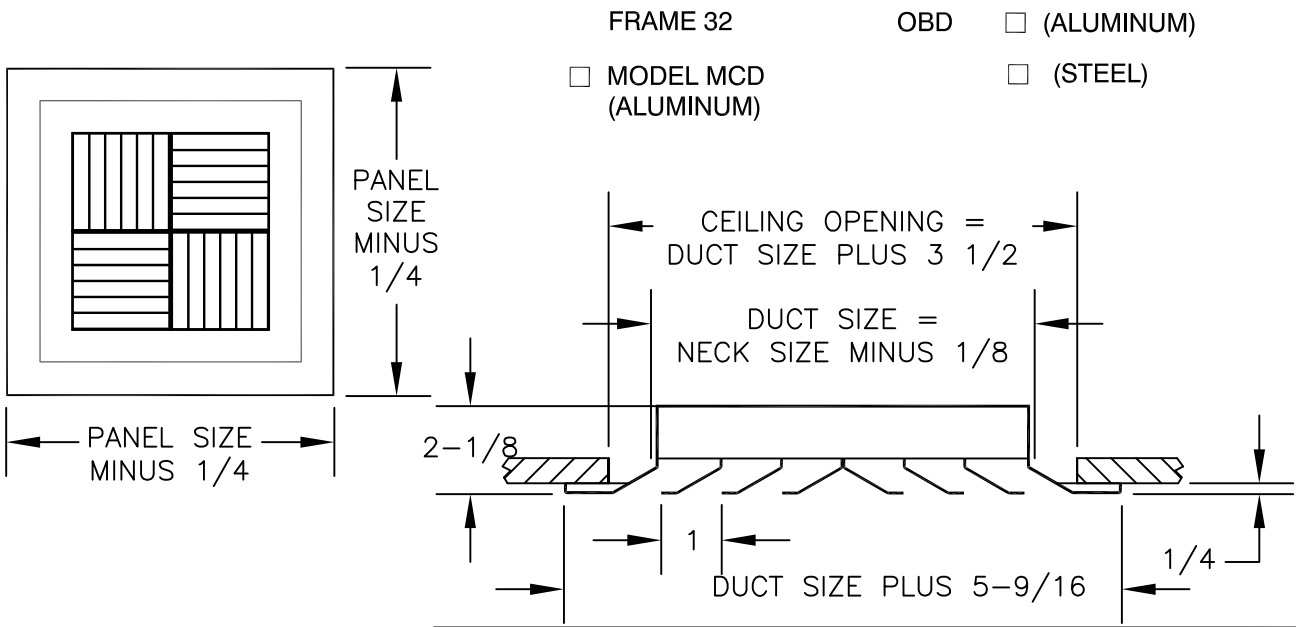
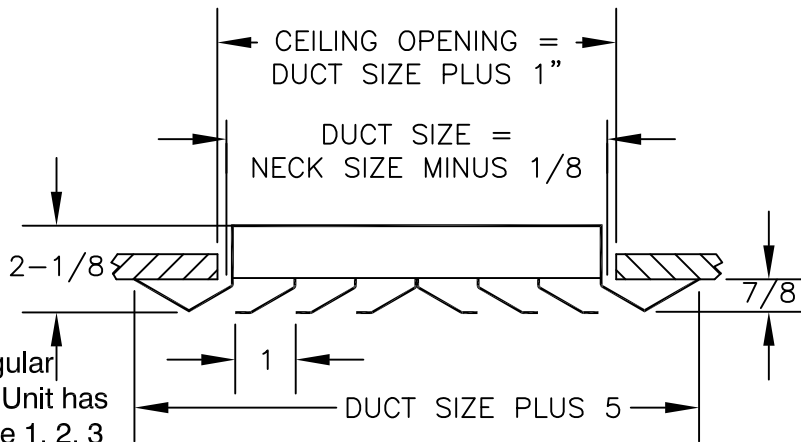


## SUBMITTAL DRAWING

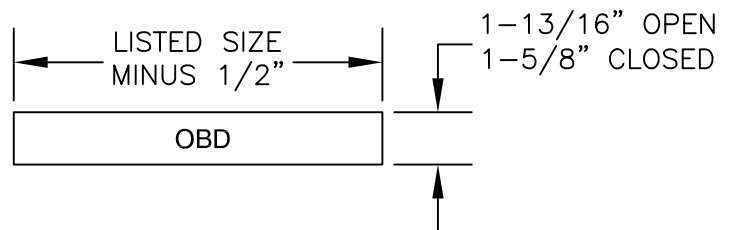


- FRAME 33
- MODEL MCDS (ALUMINUM)
- FRAME 31
- MODEL MCDS (ALUMINUM)
- (ALUMINUM)
- (STEEL)

**NOTE:**  
Duct stop tabs on steel neck only may be bent out of the way.



Model MCD is a square or rectangular modular supply or return diffuser. Unit has snap-in modular cores that provide 1, 2, 3 or 4 way pattern deflection. Choice of three frame styles: Frame 31- V Shaped, Frame 32- Flat, or Frame 33 for T-Bar ceilings. Optional OBD is operated with a screwdriver after removing a module. Steel or aluminum construction with (SR7) steel OBD standard (aluminum (AR7) OBD is available). Standard finish is white.



JOB NAME: \_\_\_\_\_  
 LOCATION: \_\_\_\_\_  
 ARCHITECT: \_\_\_\_\_  
 ENGINEER: \_\_\_\_\_  
 CONTRACTOR: \_\_\_\_\_

SUBMITTED BY: \_\_\_\_\_

DATE: 07/12/2017 | SD-9320

**MCD, MCDS**  
 Aluminum  
 Adjustable Quadrant Diffuser