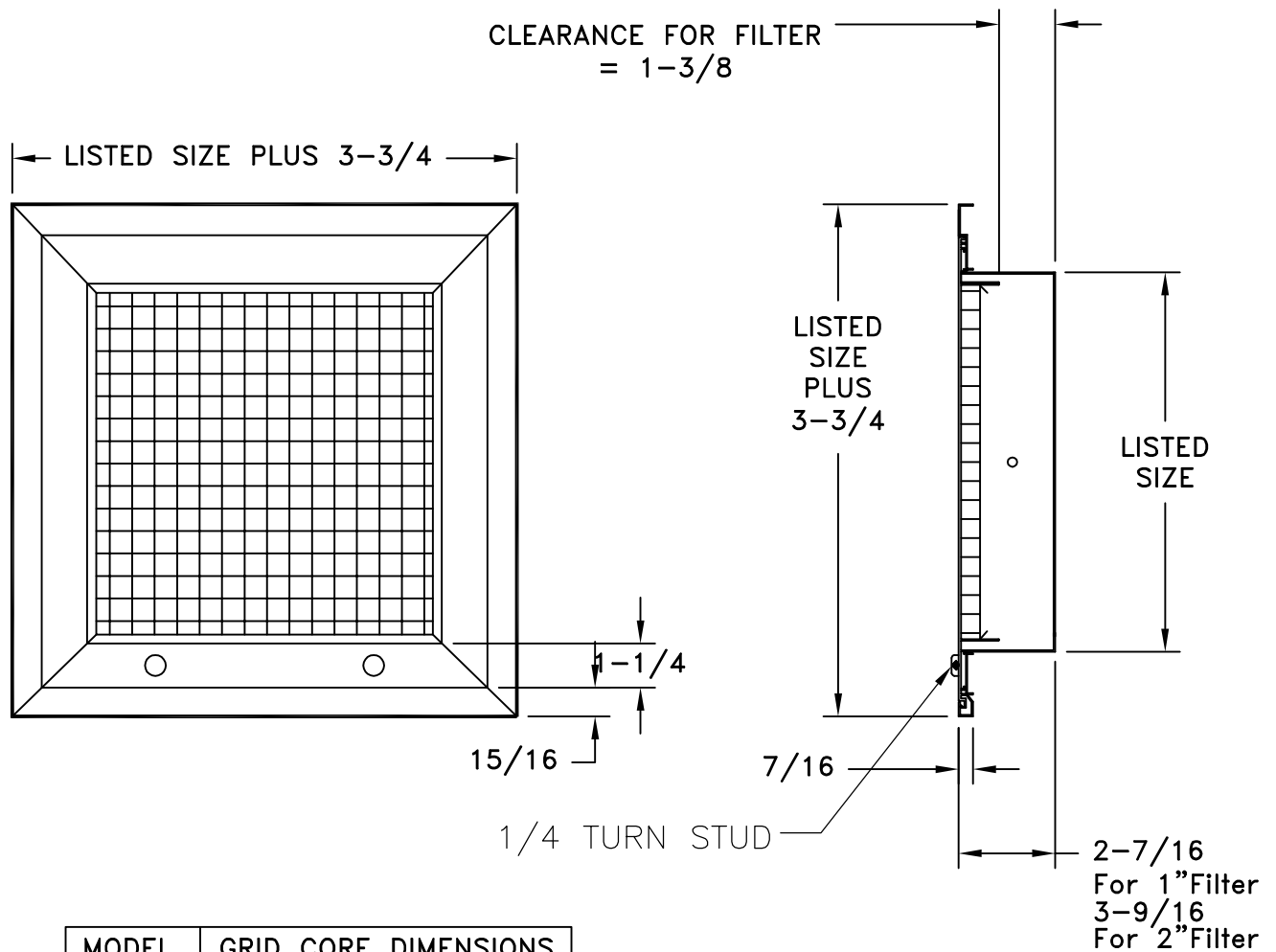


- EXTRUDED ALUMINUM CONSTRUCTION
- REMOVABLE FACE WITH 1/4 TURN FASTENER(S) & CONCEALED HINGE
- FILTER FRAME MAY BE SCREW FASTENED TO DUCT
- USES NOMINAL 1 INCH DISPOSABLE FILTERS
- FILTER SIZE EQUALS LISTED SIZE MINUS 1/4 INCH
- MINIMUM SIZE: 6 X 4
- MAXIMUM SIZE: 48 X 48
- AVAILABLE IN 1 INCH INCREMENTS
- FINISH: WHITE (W) ENAMEL OR MILL



JOB NAME: _____	SUBMITTED BY: _____	DATE: 02/14/2014	SD-9123
LOCATION: _____		REF5/REF52	
ARCHITECT: _____		Extruded Aluminum	
ENGINEER: _____		Grid Core	
CONTRACTOR: _____		Filter Grille	