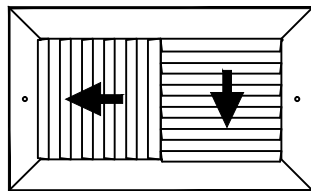
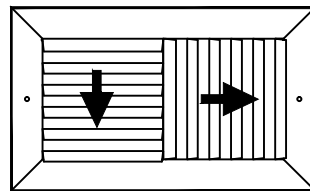


HART COOLEY SUBMITTAL DRAWING

- EXTRUDED ALUMINUM CONSTRUCTION
- ADJUSTABLE BARS ON 1 INCH CENTERS
- SCREW HOLE LOCATIONS STANDARD UNLESS OTHERWISE SPECIFIED
- FOR SCREW HOLE LOCATIONS SEE SD-9140
- MINIMUM SIZE: 6 X 4
- MAXIMUM SIZE: 36 X 36
- AVAILABLE IN 1 INCH INCREMENTS
- FINISH: WHITE (W) ENAMEL OR SATIN ANODIZED (SA)

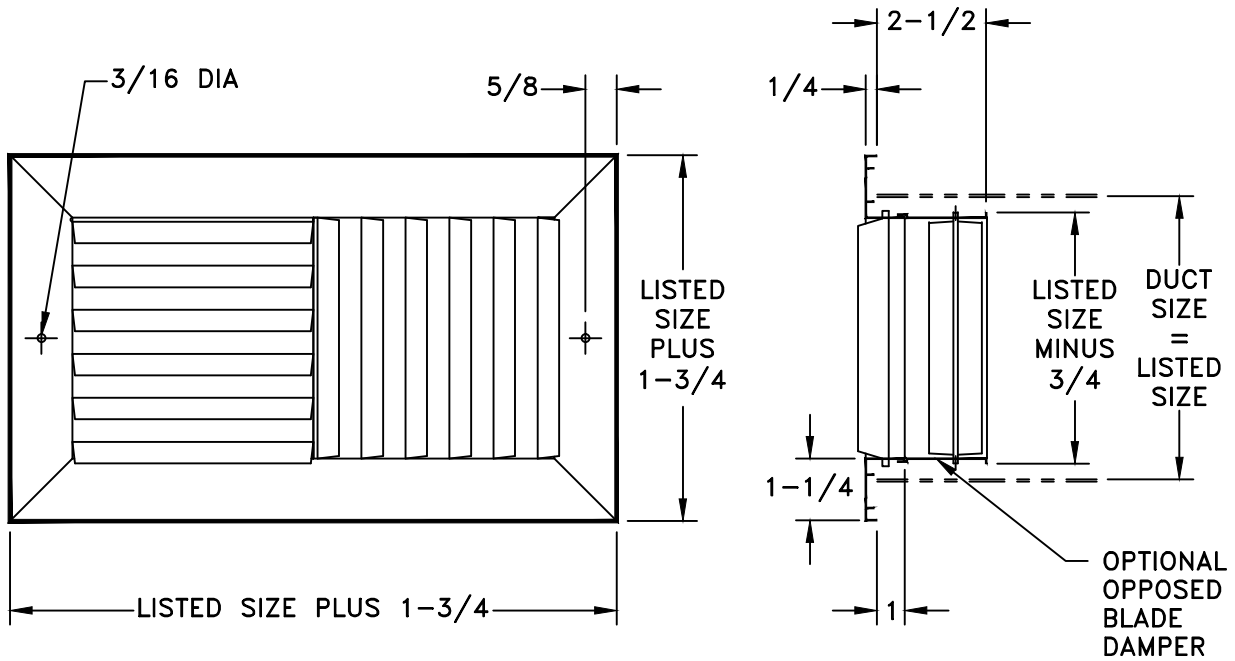


CH2CL



CH2CR

AVAILABLE PATTERNS



CH2CR SHOWN

JOB NAME: _____

LOCATION: _____

ARCHITECT: _____

ENGINEER: _____

CONTRACTOR: _____

SUBMITTED BY: _____

DATE: 03/08/2021 | SD-9103

C SERIES
 Extruded Aluminum
 Adjustable Curved Blade
 Registers And Grilles
 2-Way Corner Air Patterns