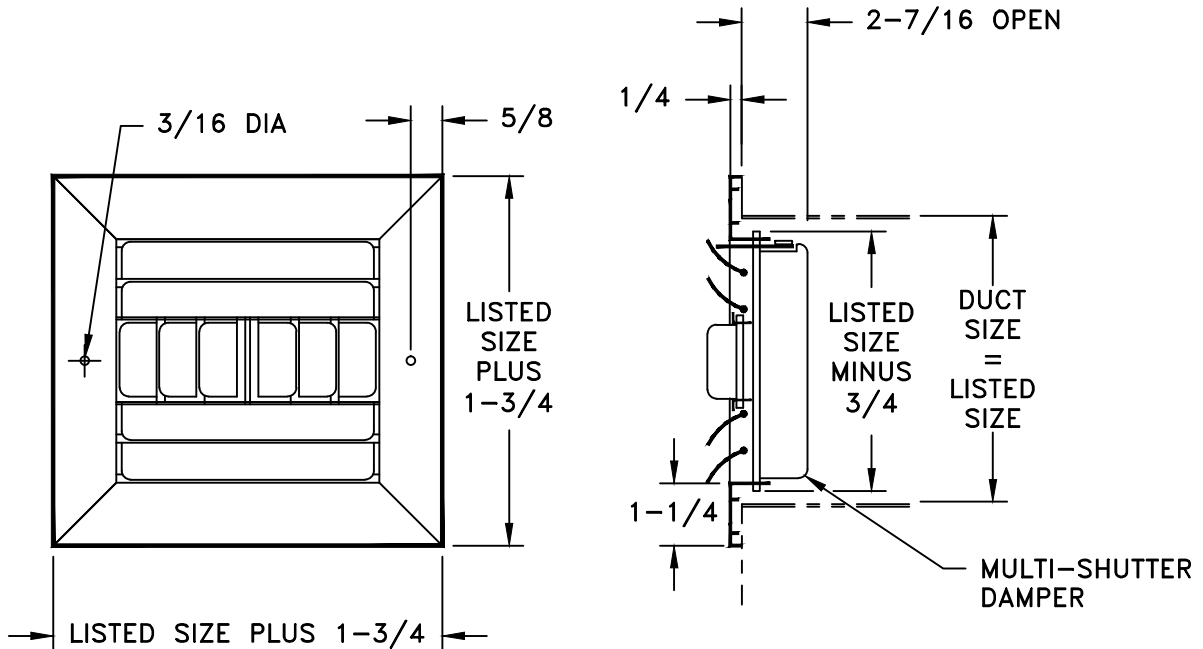


HART COOLEY SUBMITTAL DRAWING

- EXTRUDED ALUMINUM CONSTRUCTION
- ADJUSTABLE BARS ON 1 INCH CENTERS
- 1-WAY, 2-WAY, 3-WAY, AND 4-WAY DEFLECTIONS AVAILABLE
- SCREW HOLE LOCATIONS STANDARD UNLESS OTHERWISE SPECIFIED
- FOR SCREW HOLE LOCATIONS SEE SD-9140
- MINIMUM SIZE: 6 X 4
- MAXIMUM SIZE: 36 X 36 ONE PIECE CONSTRUCTION
- AVAILABLE IN 1 INCH INCREMENTS
- FINISH: WHITE (W) ENAMEL OR SATIN ANODIZED (SA)
- Z-FRAME AVAILABLE SPECIAL ORDER ONLY



CM4 REGISTER SHOWN

JOB NAME: _____	SUBMITTED BY: _____	DATE: 03/08/2021	SD-9101
LOCATION: _____		CM SERIES Extruded Aluminum Adjustable Curved Blade Register With Multi-Shutter Valve	
ARCHITECT: _____			
ENGINEER: _____			
CONTRACTOR: _____			