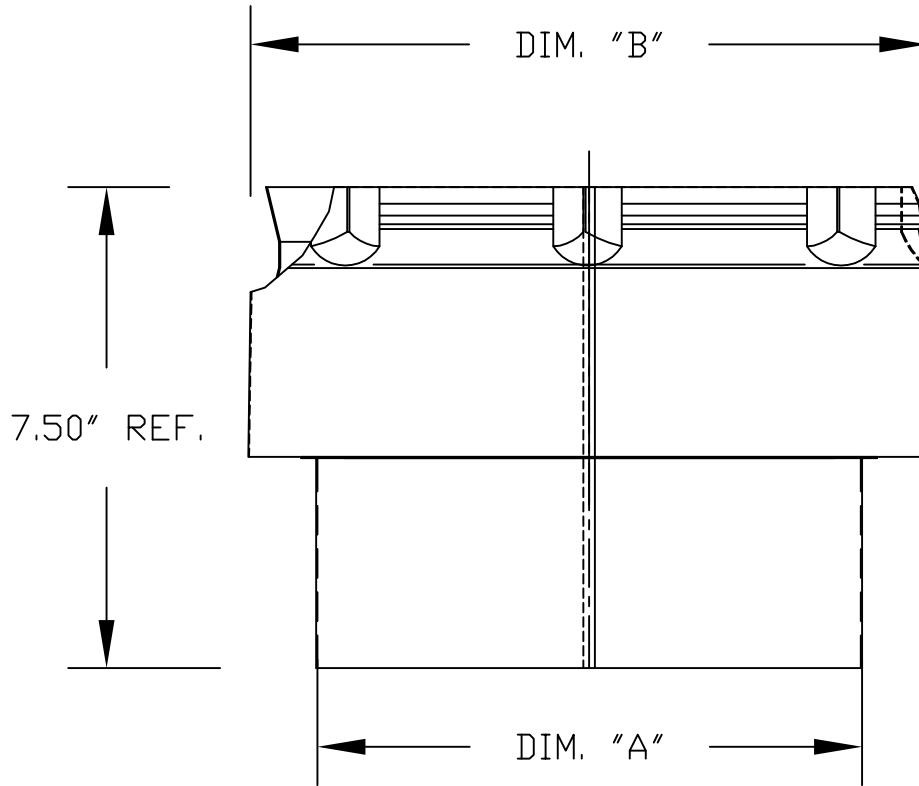


- MATERIAL
 OUTER – 0.018 THICK, GALVANIZED STEEL
 INNER – 0.014 THICK, ALUMINUM ALLOY



PART NO.	DIM. "A"	DIM. "B"
8RIX14U	8"	14"
10RIX14U	10"	14"
10RIX16U	10"	16"
10RIX18U	10"	18"
12RIX14U	12"	14"
12RIX16U	12"	16"
12RIX18U	12"	18"
12RIX20U	12"	20"



JOB NAME: _____	SUBMITTED BY: _____	DATE: 10/25/06	SD-3141
LOCATION: _____		Type B Gas Vent	
ARCHITECT: _____		Universal Increaser	
ENGINEER: _____		__RIX__U	
CONTRACTOR: _____			