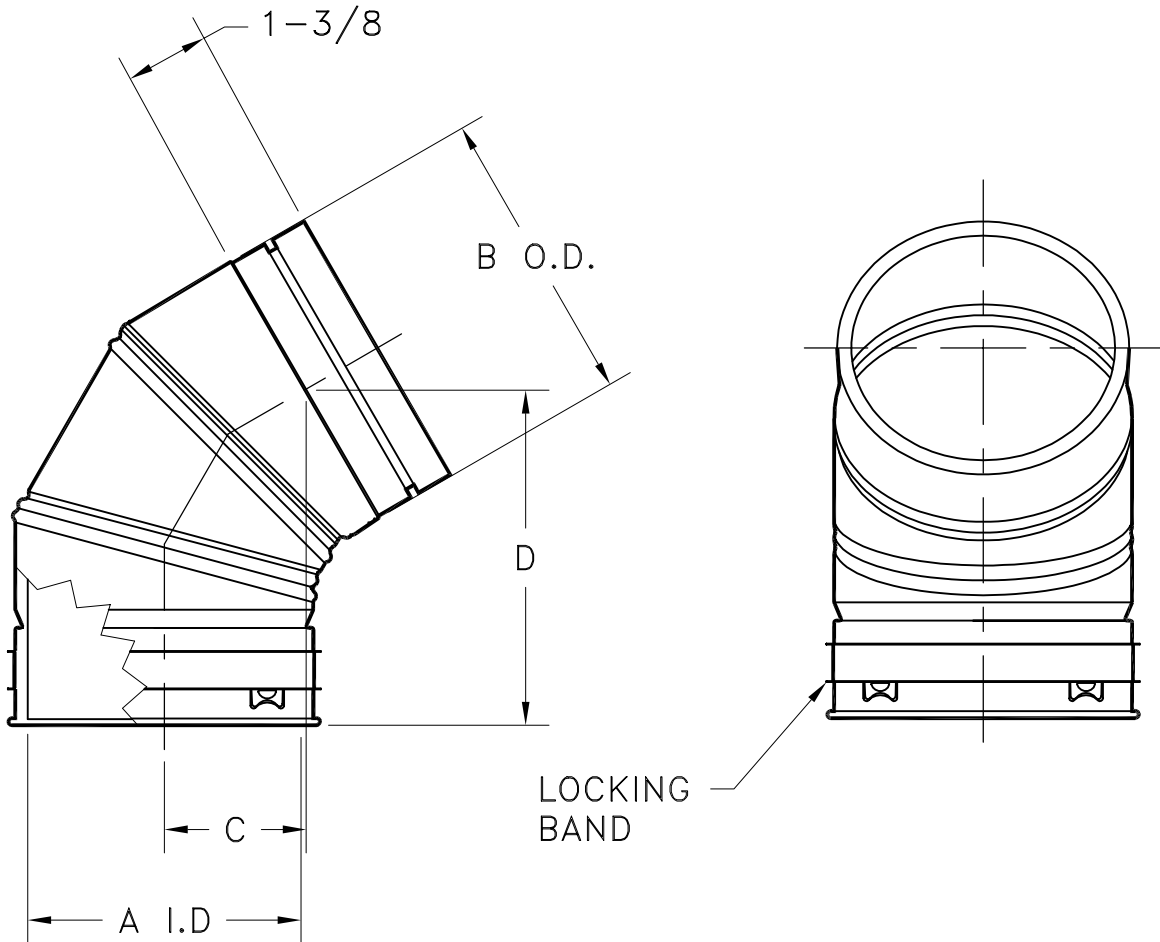


- MATERIAL:
 OUTER - .018 THICK, G-90 GALVANIZED STEEL
 INNER - .012 THICK, ALUMINUM



CAT. NO.	A I.D.	B O.D.	C	D
3REA60	3	3-1/2	1-7/8	5-1/4
4REA60	4	4-1/2	2-1/8	5-1/2
5REA60	5	5-1/2	2-1/4	6
6REA60	6	6-1/2	2-5/8	6-3/8



JOB NAME: _____	SUBMITTED BY: _____	DATE: 8/18/00	SD-3131
LOCATION: _____		Type B Gas Vent 60° Adjustable Elbow REA60 3" - 6" Diameter	
ARCHITECT: _____			
ENGINEER: _____			
CONTRACTOR: _____			