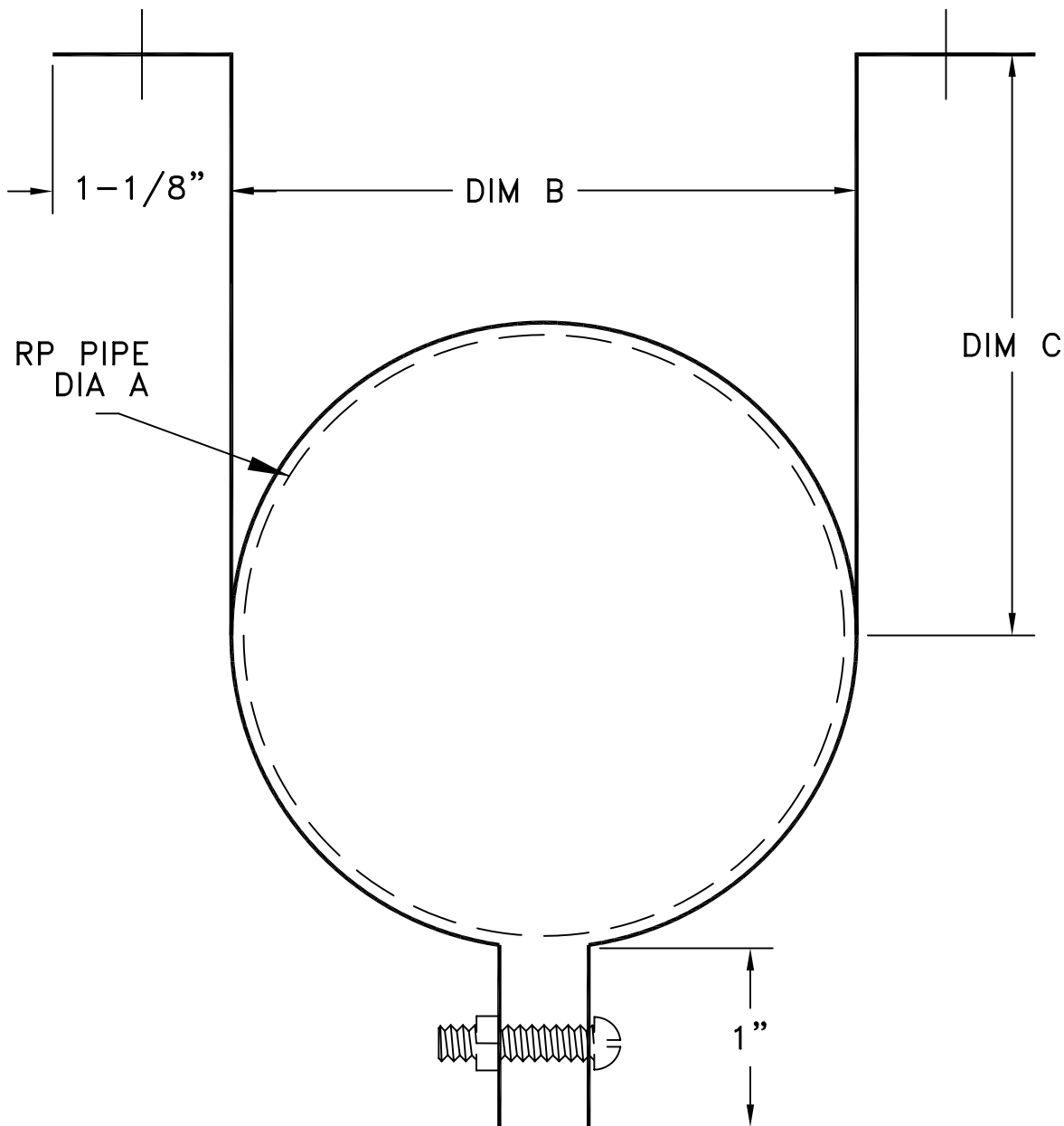


- MATERIAL:
– .062 THICK, GALVANIZED STEEL



CAT. NO.	DIA A	DIM B	DIM C
3RWB	3	3-1/2	3-1/4
4RWB	4	4-1/2	3-3/4
5RWB	5	5-1/2	4-1/4
6RWB	6	6-1/2	4-3/4
7RWB	7	8	5-1/2

JOB NAME: _____	SUBMITTED BY: _____	DATE: 04/05/05	SD-3128
LOCATION: _____		TYPE B GAS VENT	
ARCHITECT: _____		Wall Bracket	
ENGINEER: _____		RWB	
CONTRACTOR: _____		3" - 7" Diameter	