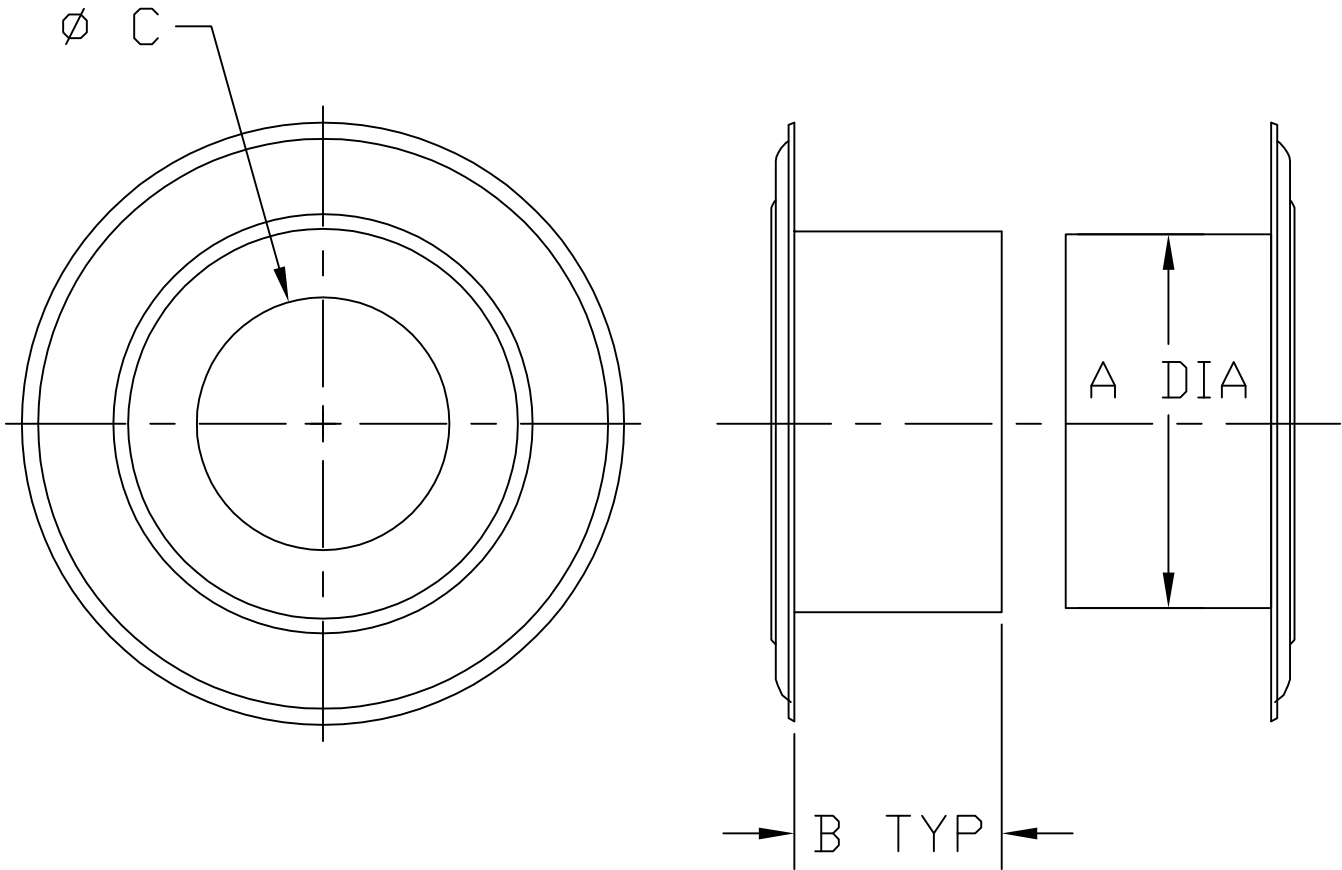


- MATERIAL:
.018 THICK, G-90 GALVANIZED STEEL
- ADJUSTABLE FROM 3-1/2 TO 6-1/4 INCHES



CAT. NO.	A DIA	B LENGTH	C DIA
3RWT	5-1/2	3-1/16	3-9/16
4RWT	6-1/2	3-1/16	4-9/16
5RWT	7-1/2	3-1/16	5-9/16
6RWT	8-1/2	3-1/4	6-9/16
7RWT	10	3-1/4	8-1/16
8RWT	11	3-1/4	9-1/16

JOB NAME: _____	SUBMITTED BY: _____	DATE: 6/19/07	SD-3121
LOCATION: _____		Type B Gas Vent	
ARCHITECT: _____		Wall Thimble	
ENGINEER: _____		RWT	
CONTRACTOR: _____		3" - 8" Diameter	