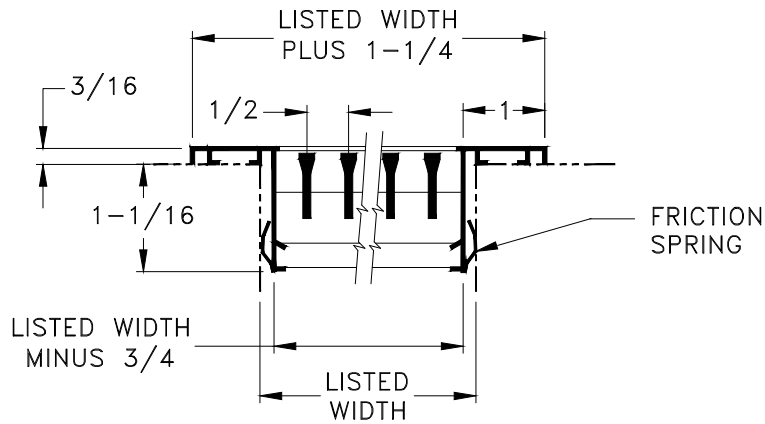
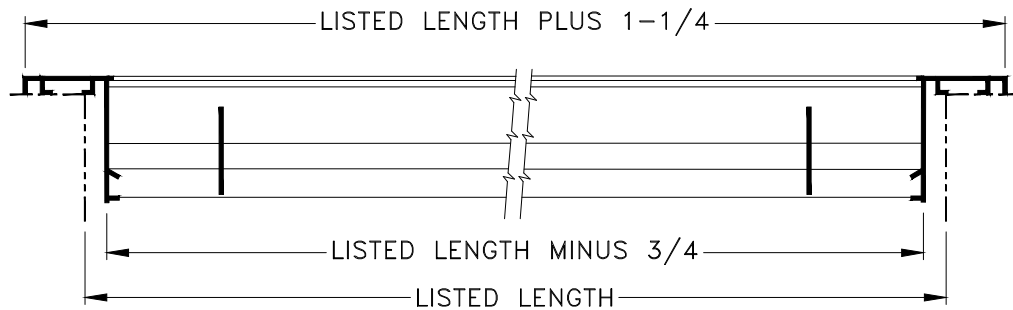


- EXTRUDED ALUMINUM CONSTRUCTION
- MINIMUM SIZE: 4 LONG X 2 WIDE ONE PIECE CONSTRUCTION
- MAXIMUM SIZE: 72 LONG X 24 WIDE ONE PIECE CONSTRUCTION
- WIDTH DIMENSION IN 1/2 INCH INCREMENTS ONLY
- LENGTHS OVER 72 INCHES ARE MULTIPLE SECTIONS WITH KEYWAY SPLICES
- FINISH: WHITE (W) OR SATIN ANODIZED (SA)



**MOUNTING
STYLE 0 FOR
SILL**

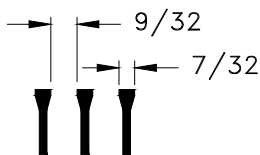


FACE BAR CENTERS: 1/2"

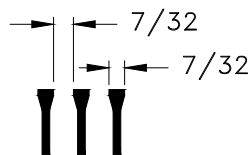
7/16"

1/2"

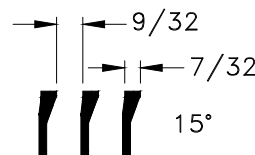
1/2"



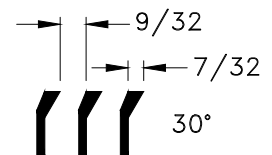
00



01



15



30

JOB NAME: _____
 LOCATION: _____
 ARCHITECT: _____
 ENGINEER: _____
 CONTRACTOR: _____

SUBMITTED BY: _____

DATE: 03/29/2021 SD-9608

LS SERIES

Linear Grilles With Standard
 Drop-In Mounting Style 0
 In Sill