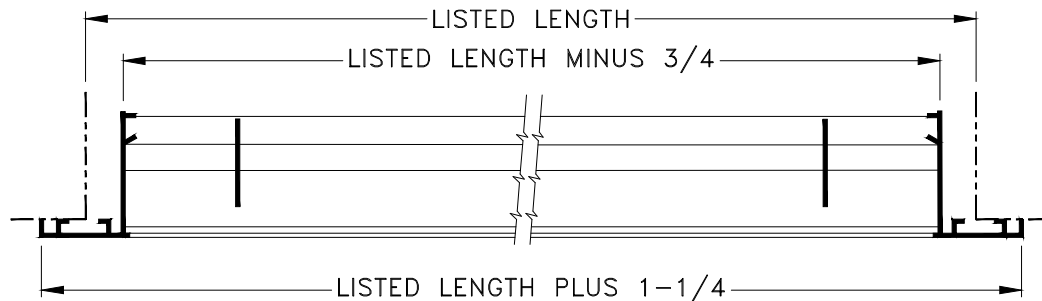
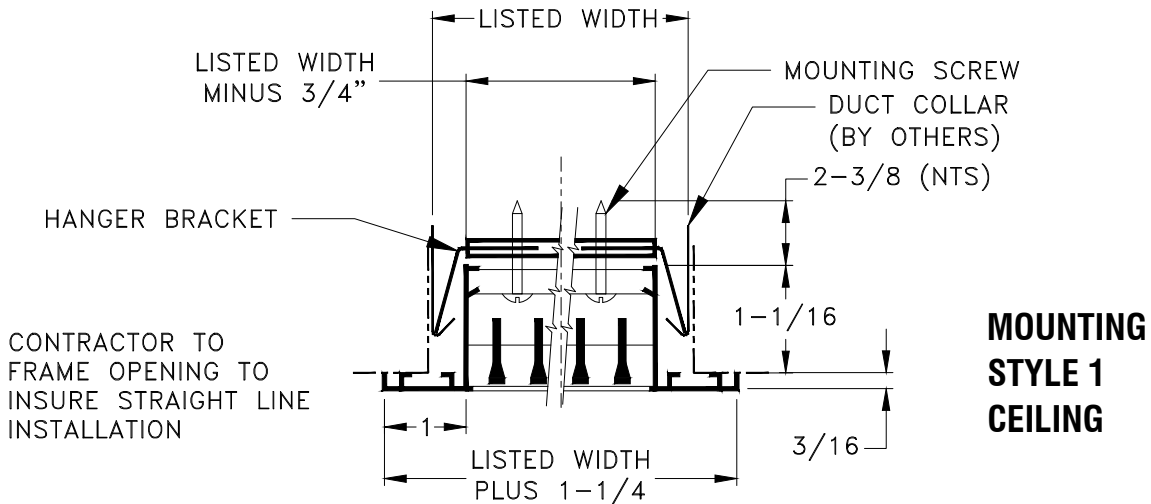
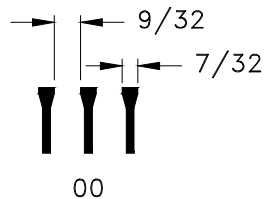


- EXTRUDED ALUMINUM CONSTRUCTION
- MINIMUM SIZE: 4 LONG X 2 WIDE ONE PIECE CONSTRUCTION
- MAXIMUM SIZE: 72 LONG X 24 WIDE ONE PIECE CONSTRUCTION
- WIDTH DIMENSION IN 1/2 INCH INCREMENTS ONLY
- LENGTHS OVER 72 INCHES ARE MULTIPLE SECTIONS WITH KEYWAY SPLICES
- DAMPERS, WHEN SPECIFIED, SHOULD BE DUCT MOUNTED
- FINISH: WHITE (W) OR SATIN ANODIZED (SA)



### FACE BARS - 1/2 INCH CENTERS



THIS BAR STYLE ONLY WHEN USING MOUNTING STYLE 1

JOB NAME: \_\_\_\_\_  
 LOCATION: \_\_\_\_\_  
 ARCHITECT: \_\_\_\_\_  
 ENGINEER: \_\_\_\_\_  
 CONTRACTOR: \_\_\_\_\_

SUBMITTED BY: \_\_\_\_\_

DATE: 03/26/2021 SD-9821

**LS SERIES**  
 Linear Grilles With Yoke  
 Type Concealed Mounting  
 Mounting Style 1