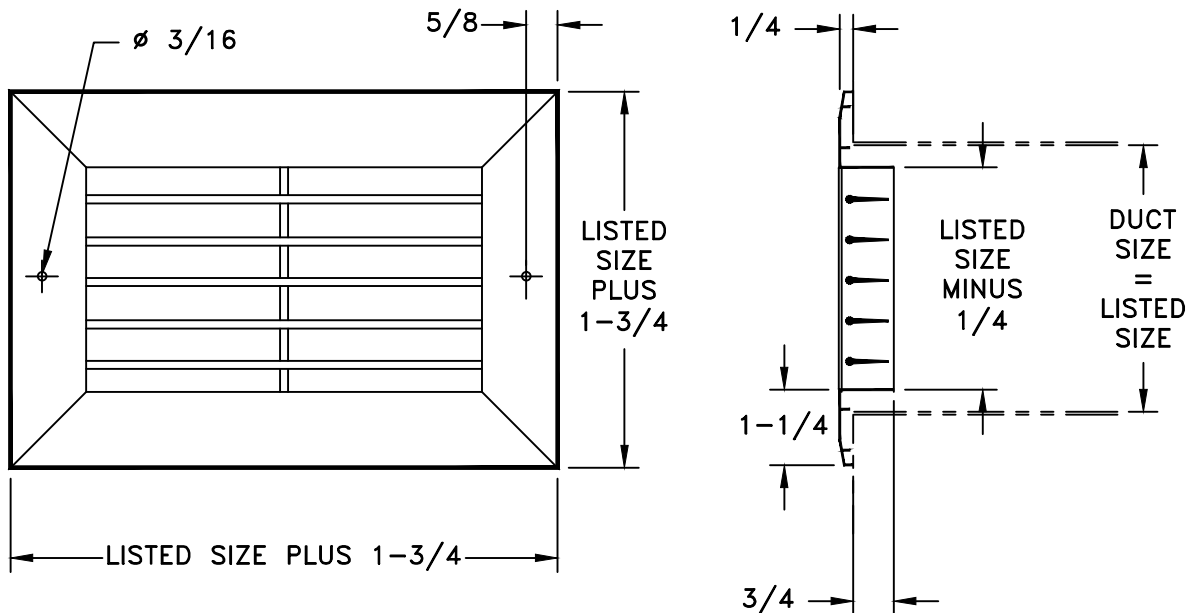


- EXTRUDED ALUMINUM CONSTRUCTION
- BARS ON 3/4 INCH CENTERS
- SCREW HOLE LOCATIONS STANDARD UNLESS OTHERWISE SPECIFIED
-
- MINIMUM SIZE: 4 X 4
- MAXIMUM SIZE: 48 X 48 ONE PIECE CONSTRUCTION
- AVAILABLE IN 1/4 INCH INCREMENTS
- FINISH: PAINT WHITE (W) OR PAINT ALUMINUM (AL)



RH90 REGISTER

All Dimensions are $\pm 1/16$ "

JOB NAME: _____	SUBMITTED BY: _____	DATE: 03/08/2021	SD-9125
LOCATION: _____		RH90 Grilles And Registers Extruded Aluminum Fixed Horizontal Face Bars	
ARCHITECT: _____			
ENGINEER: _____			
CONTRACTOR: _____			