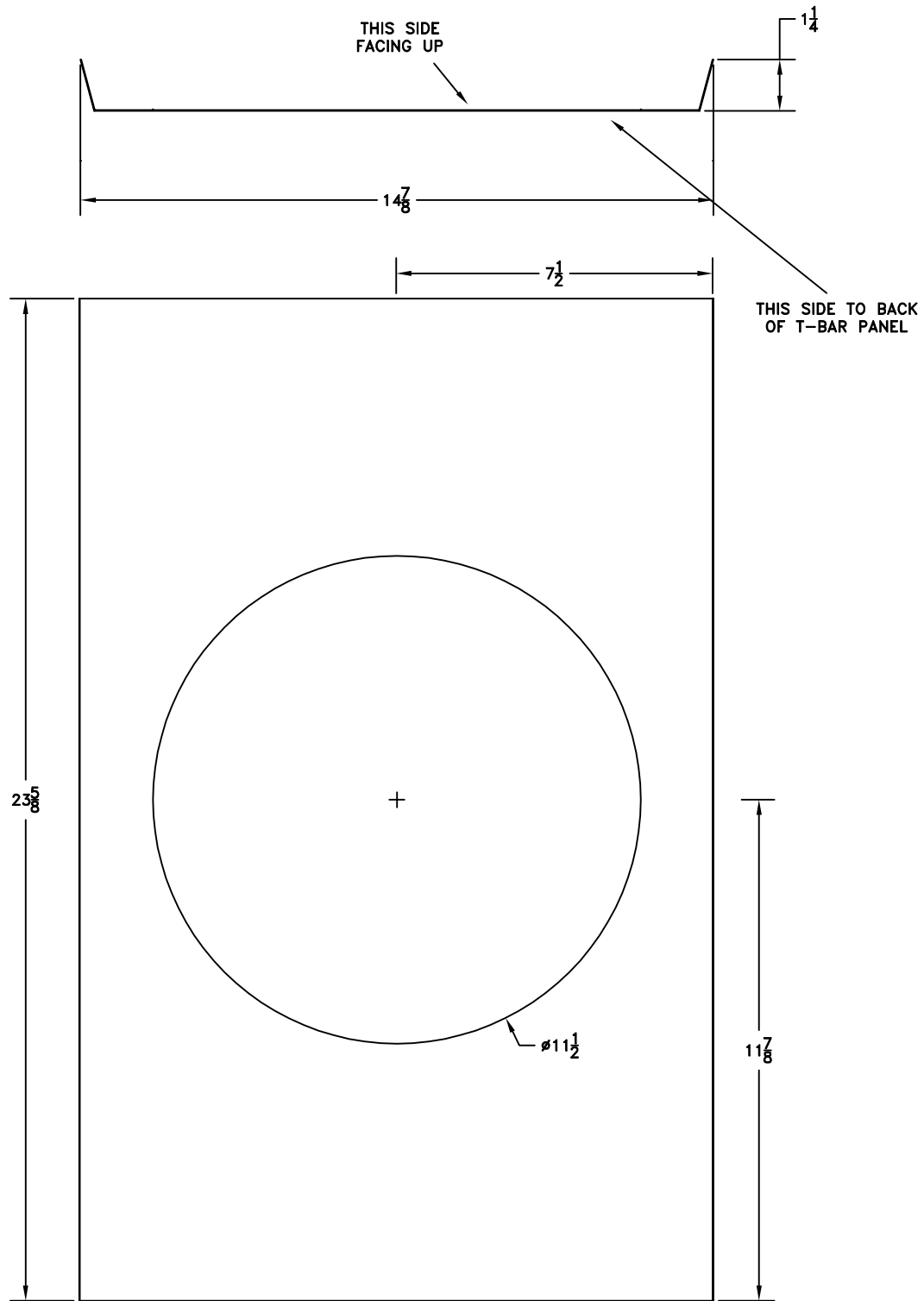


• MATERIAL: GALVANIZED STEEL



JOB NAME: \_\_\_\_\_  
 LOCATION: \_\_\_\_\_  
 ARCHITECT: \_\_\_\_\_  
 ENGINEER: \_\_\_\_\_  
 CONTRACTOR: \_\_\_\_\_

DATE: 05/08/2014 | RZ-2163

**ROUGH-IN PLATE**  
 T-BAR BACKER PLATE FOR  
 ROUND REZZIN CEILING  
 DIFFUSER