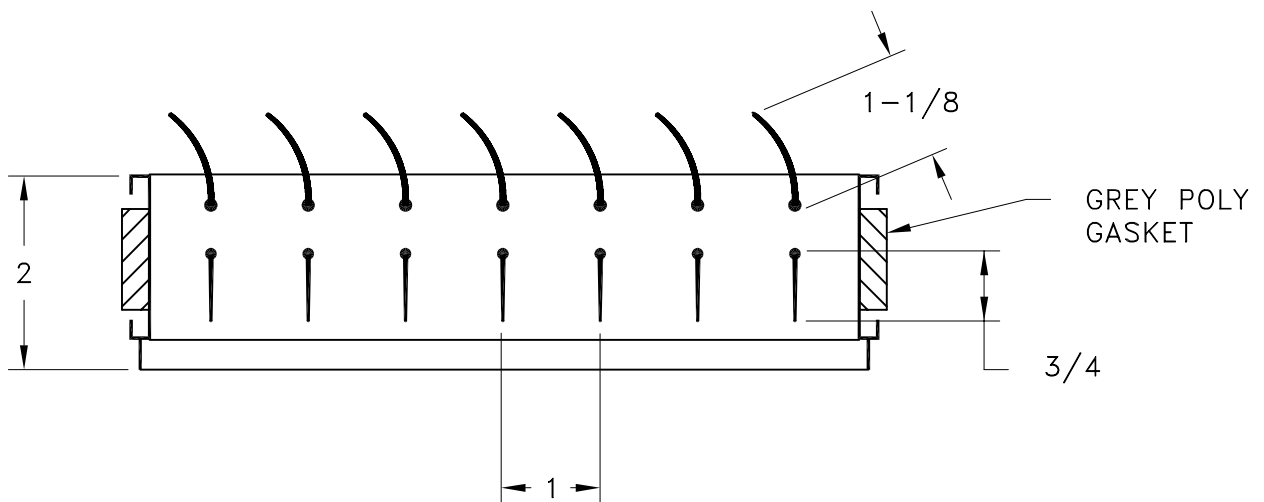
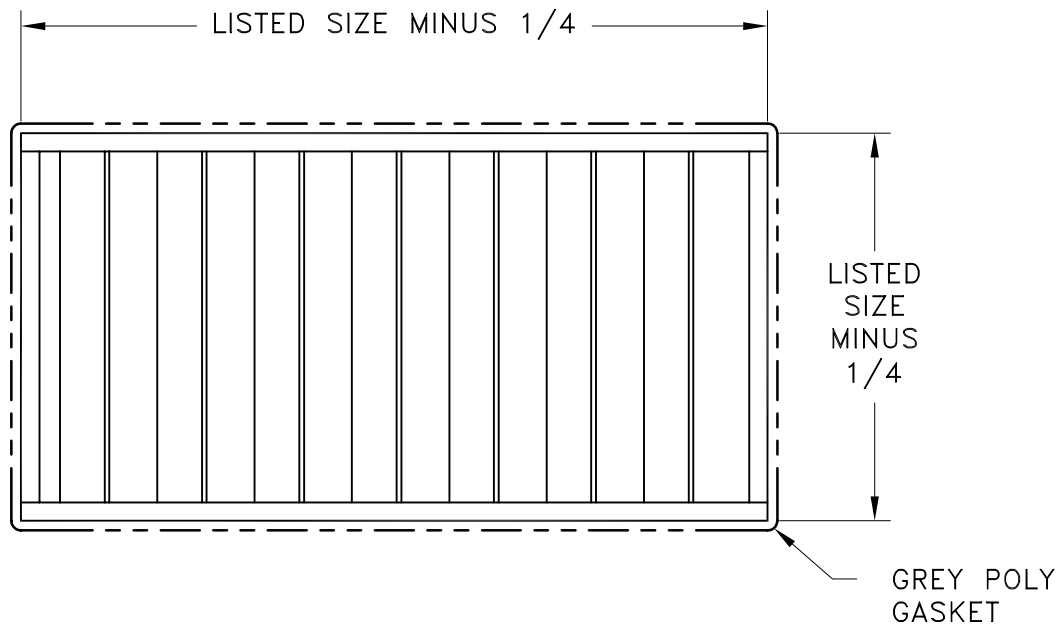


- EXTRUDED ALUMINUM CONSTRUCTION
- TWO SETS OF INDIVIDUALLY ADJUSTABLE BLADES
- MINIMUM SIZE: 6 X 4
- MAXIMUM SIZE: 36 X 20 ONE PIECE CONSTRUCTION
- AVAILABLE IN 1 INCH INCREMENTS
- FINISH: MILL



JOB NAME: _____	SUBMITTED BY: _____	DATE: 11/14/00	SD-9138
LOCATION: _____		<b>DT</b> Extruded Aluminum Control Air Turning Device Adjustable Blades	
ARCHITECT: _____			
ENGINEER: _____			
CONTRACTOR: _____			