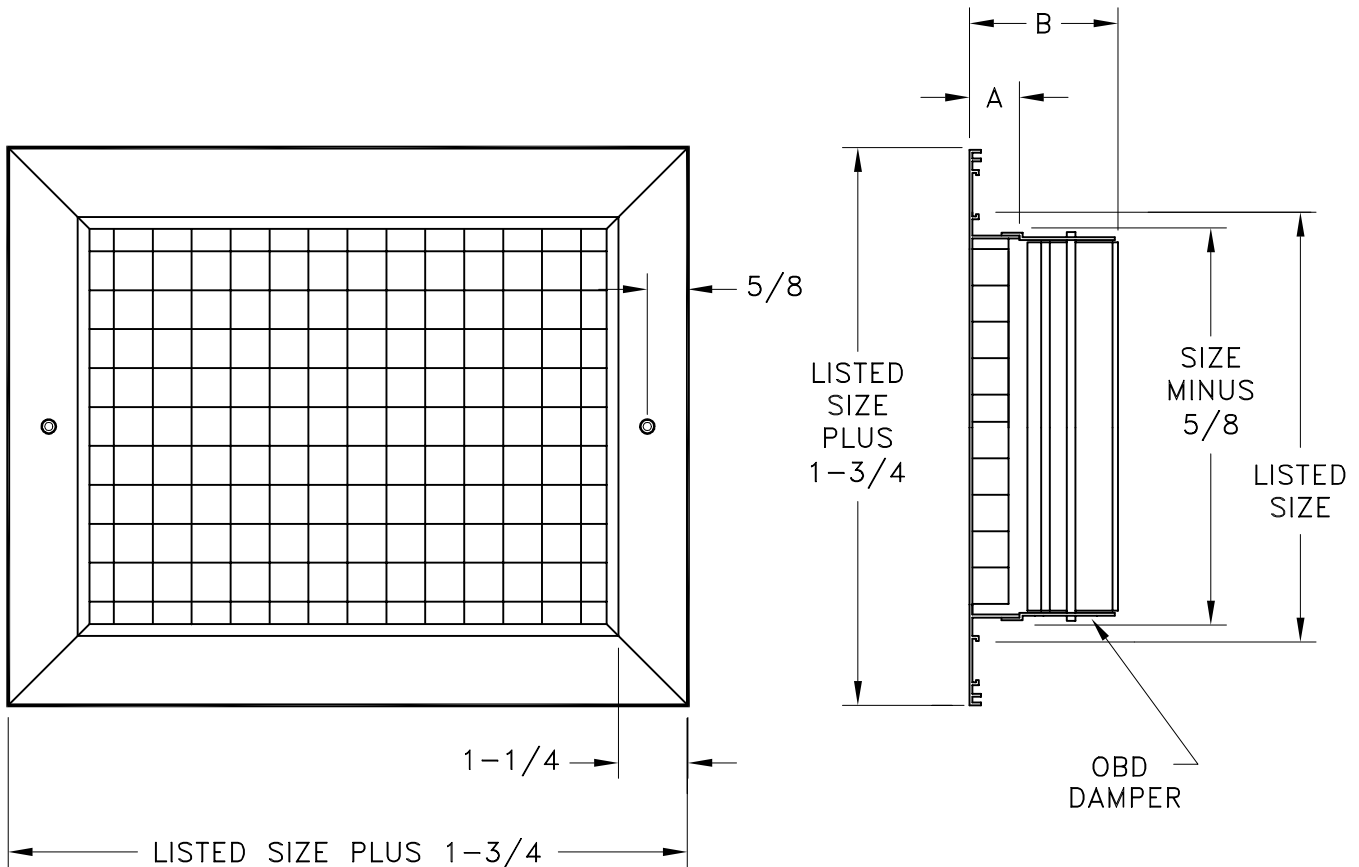


- EXTRUDED ALUMINUM CONSTRUCTION
- MINIMUM SIZE: 6 X 4
- MAXIMUM SIZE: 48 X 48
- FINISH: WHITE (W) ENAMEL OR MILL



RED5 REGISTER

MODEL	GRID CORE DIMENSIONS	A	B
RE5	1/2x1/2x1/2	1-1/16	2-3/8
RE510	1/2x1/2x1	1-9/16	2-7/8
RE1	1x1x1	1-9/16	2-7/8

JOB NAME: _____	SUBMITTED BY: _____	DATE: 4/02/01	SD-9122
LOCATION: _____		RE(D)5, RE(D)510, RE(D)1	
ARCHITECT: _____		Grid Core	
ENGINEER: _____		Extruded Aluminum	
CONTRACTOR: _____		Return	
		Grilles And Registers	