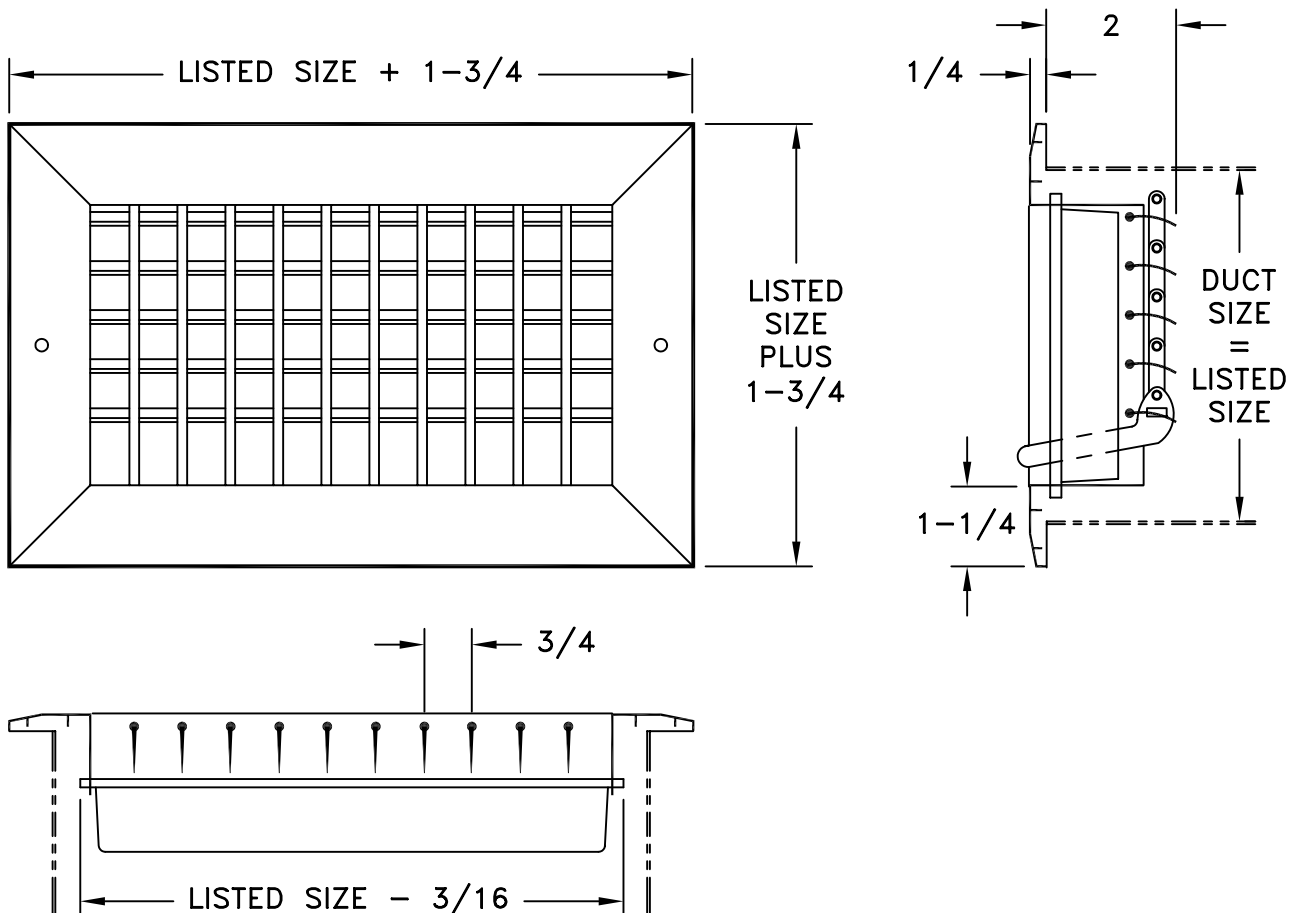


- EXTRUDED ALUMINUM CONSTRUCTION
- STYLES:  
VM VERTICAL FACE BARS  
HM HORIZONTAL FACE BARS
- BARS ARE ON 3/4 INCH CENTERS AND INDIVIDUALLY ADJUSTABLE
- LEVER OPERATED MULTI-SHUTTER DAMPER
- SCREW HOLE LOCATIONS STANDARD UNLESS OTHER WISE SPECIFIED
- FOR SCREW HOLE LOCATIONS SEE SD-9140
- MINIMUM SIZE: 6 X 4
- MAXIMUM SIZE: 36 X 36 ONE PIECE CONSTRUCTION
- AVAILABLE IN 1 INCH INCREMENTS
- FINISH: WHITE (W) ENAMEL OR SATIN ANODIZED (SA)



**VM VERTICAL FACE BARS**

JOB NAME: _____	SUBMITTED BY: _____	DATE: 6/23/03	SD-9113
LOCATION: _____		<b>HM, VM</b> Extruded Aluminum Supply Registers With Multi-Shutter Damper	
ARCHITECT: _____			
ENGINEER: _____			
CONTRACTOR: _____			