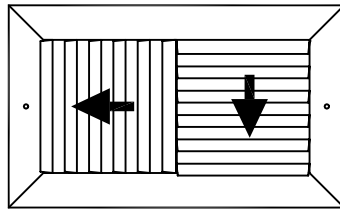
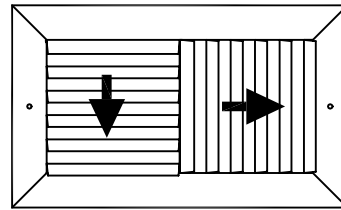


- EXTRUDED ALUMINUM CONSTRUCTION
- ADJUSTABLE BARS ON 1 INCH CENTERS
- SCREW HOLE LOCATIONS STANDARD UNLESS OTHERWISE SPECIFIED
- FOR SCREW HOLE LOCATIONS SEE SD-9140
- MINIMUM SIZE: 6 X 4
- MAXIMUM SIZE: 72 X 36 OR 36 X 96 ONE PIECE CONSTRUCTION WITH OPPOSED BLADE DAMPER;
36 X 36 WITH MULTI-SHUTTER DAMPER
- AVAILABLE IN 1 INCH INCREMENTS
- FINISH: WHITE (W) ENAMEL OR SATIN ANODIZED (SA)

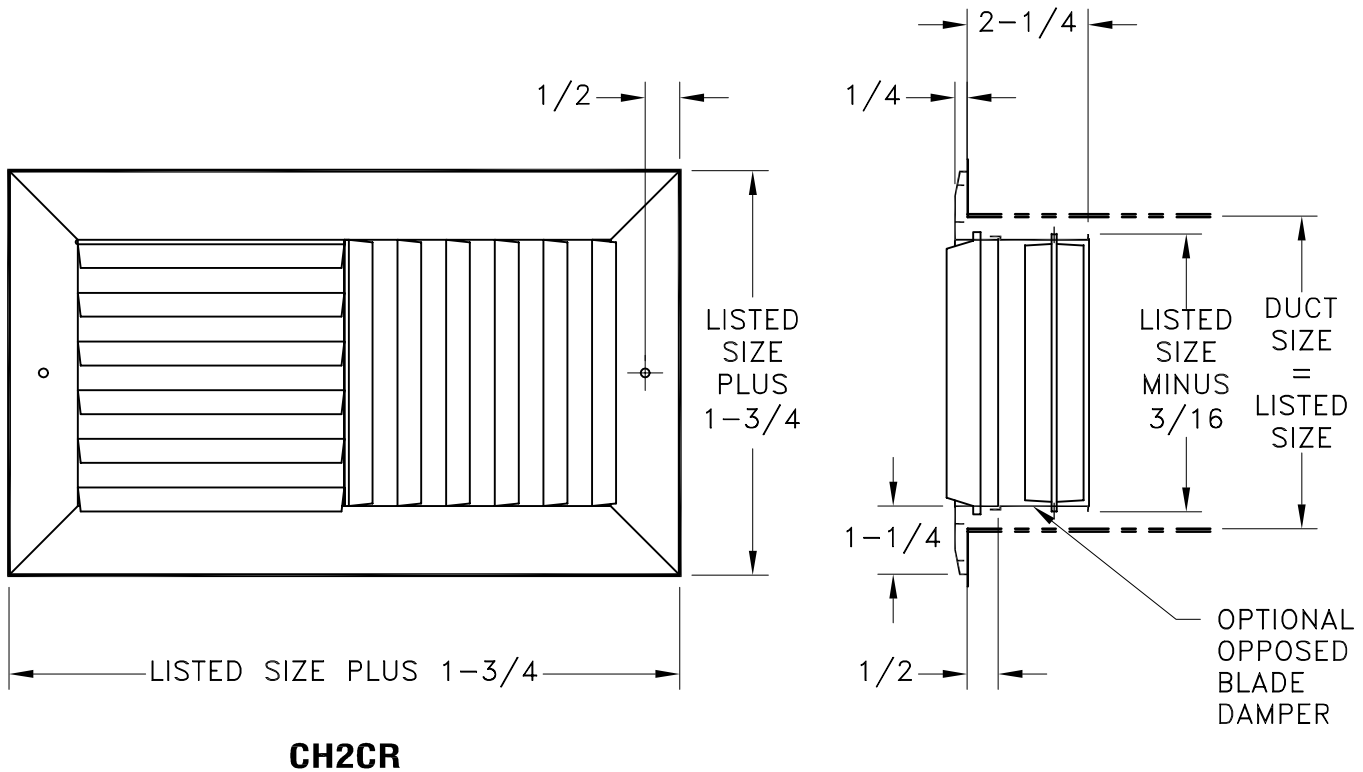


CH2CL



CH2CR

AVAILABLE PATTERNS



JOB NAME: _____	SUBMITTED BY: _____	DATE: 5/3/99	SD-9103
LOCATION: _____	C SERIES Extruded Aluminum Adjustable Curved Blade Registers And Grilles 2-Way Corner Air Patterns		
ARCHITECT: _____			
ENGINEER: _____			
CONTRACTOR: _____			