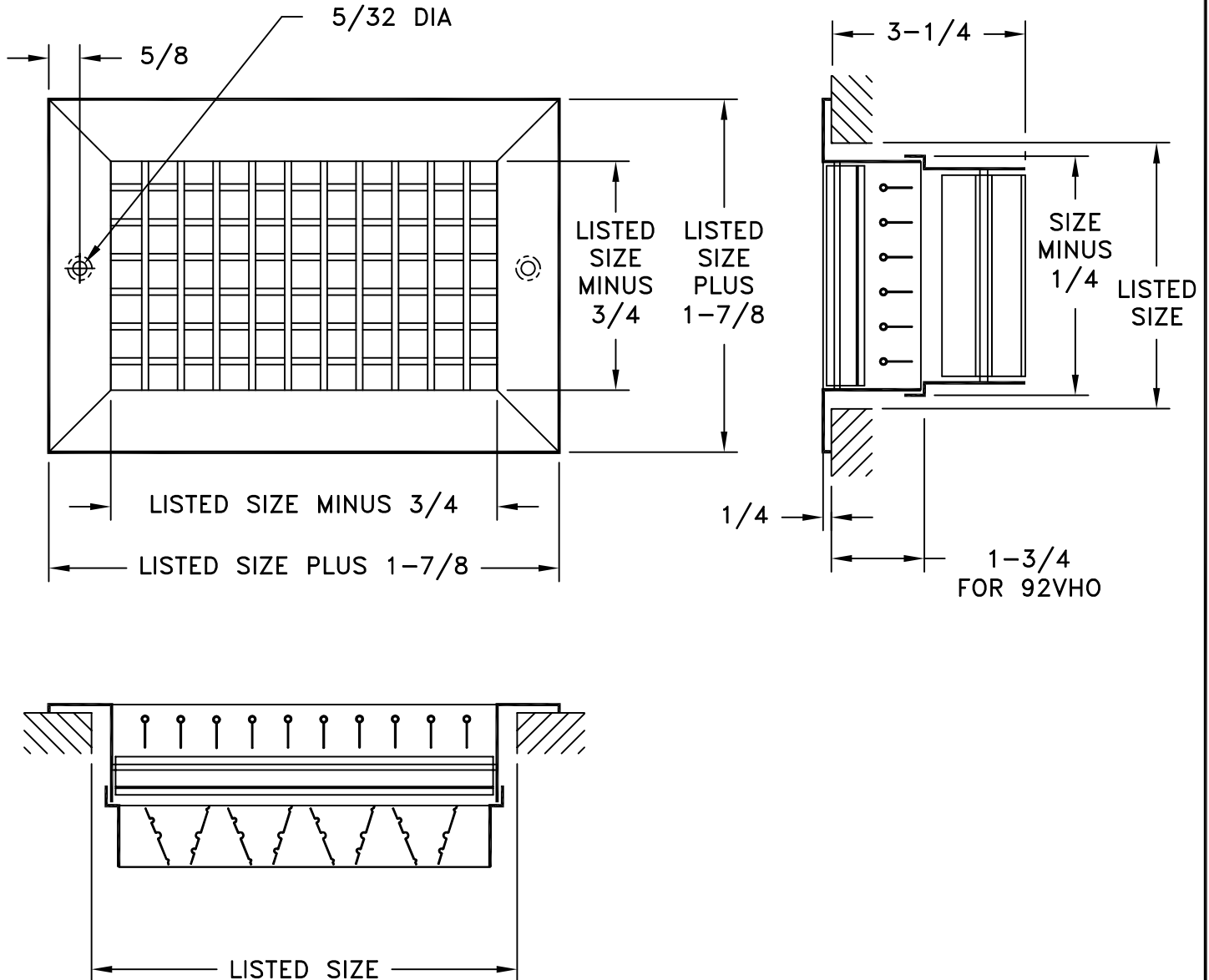


- ALL STEEL CONSTRUCTION
- ADJUSTABLE BARS ON 3/4 INCH CENTERS
- MINIMUM SIZE: 6 X 4
- MAXIMUM SIZE: 48 X 36 ONE PIECE CONSTRUCTION
- AVAILABLE IN 2 INCH INCREMENTS
- FINISH: WHITE (W) ENAMEL



JOB NAME: _____	SUBMITTED BY: _____	DATE: 11/20/08	SD-9008
LOCATION: _____		92VHO, 92VHV	
ARCHITECT: _____		Steel Supply Register	
ENGINEER: _____		Double Deflection	
CONTRACTOR: _____		Vertical Front Bars	