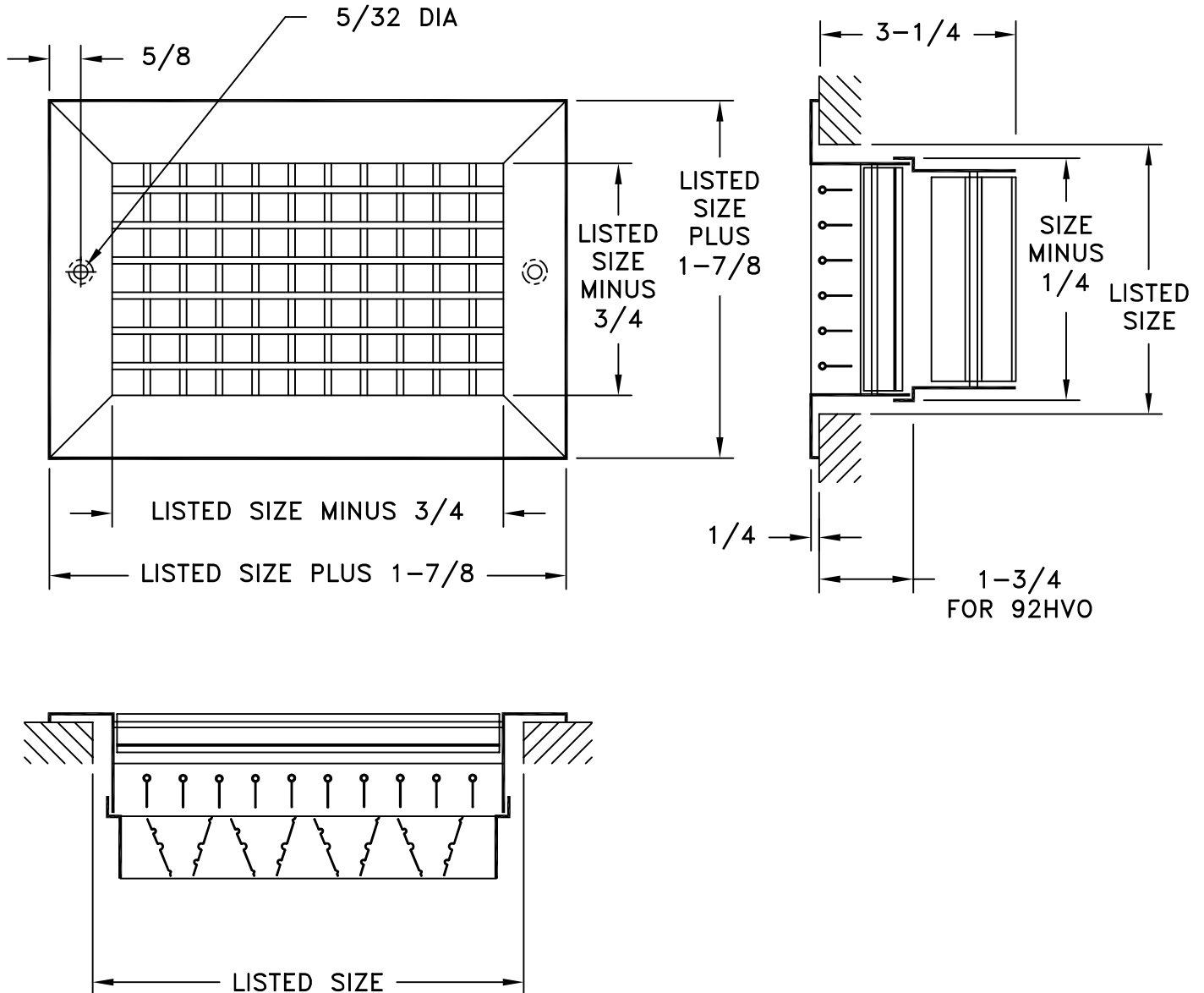


- ALL STEEL CONSTRUCTION
- ADJUSTABLE BARS ON 3/4 INCH CENTERS
- MINIMUM SIZE: 6 X 4
- MAXIMUM SIZE: 48 X 36 ONE PIECE CONSTRUCTION
- AVAILABLE IN 2 INCH INCREMENTS
- FINISH: WHITE (W) ENAMEL



JOB NAME: _____
 LOCATION: _____
 ARCHITECT: _____
 ENGINEER: _____
 CONTRACTOR: _____

SUBMITTED BY: _____

DATE: 11/20/08

SD-9006

92HVO, 92HVV
 Steel Supply Register
 Double Deflection
 Horizontal Front Bars