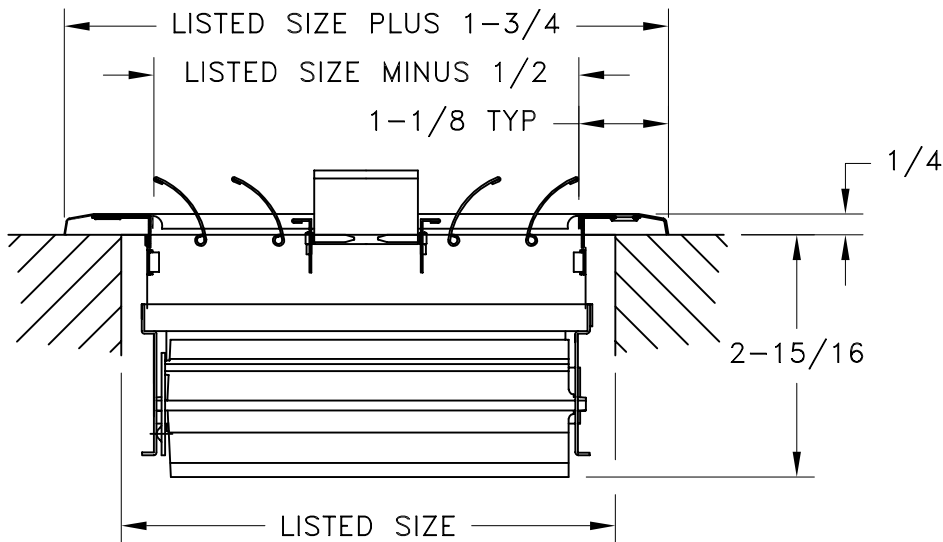
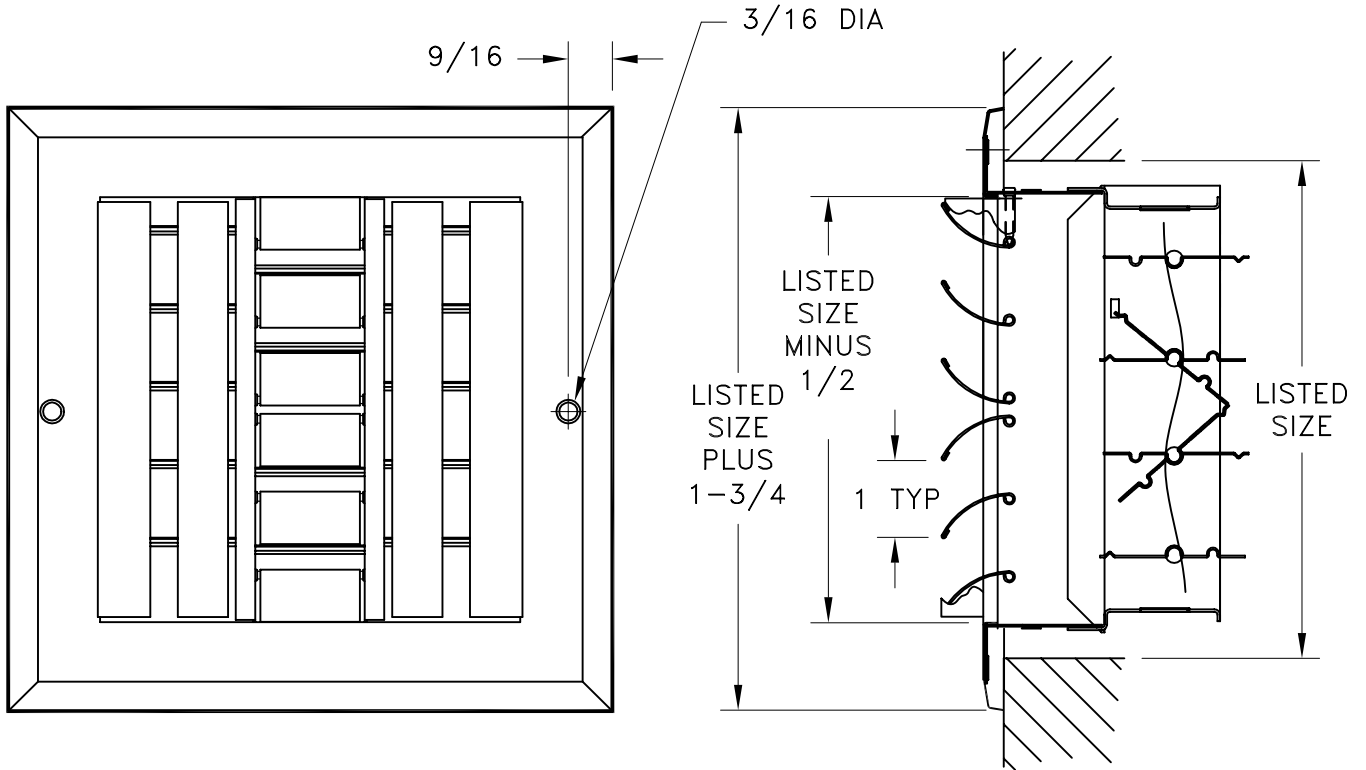


- ALUMINUM FACE, PAINTED STEEL OPPOSED BLADE DAMPER
- ADJUSTABLE CURVED BLADES
- MINIMUM SIZE = 6 X 6
- MAXIMUM SIZE = 14 X 14
- FINISH: WHITE (W) ENAMEL



| | | | |
|-------------------|---------------------|---------------------------------|---------|
| JOB NAME: _____ | SUBMITTED BY: _____ | DATE: 4/10/01 | SD-2509 |
| LOCATION: _____ | | A614-OB | |
| ARCHITECT: _____ | | Aluminum, Curved Blade Register | |
| ENGINEER: _____ | | With Painted Steel | |
| CONTRACTOR: _____ | | Opposed Blade Damper | |
| | | 4-Way Air Pattern | |