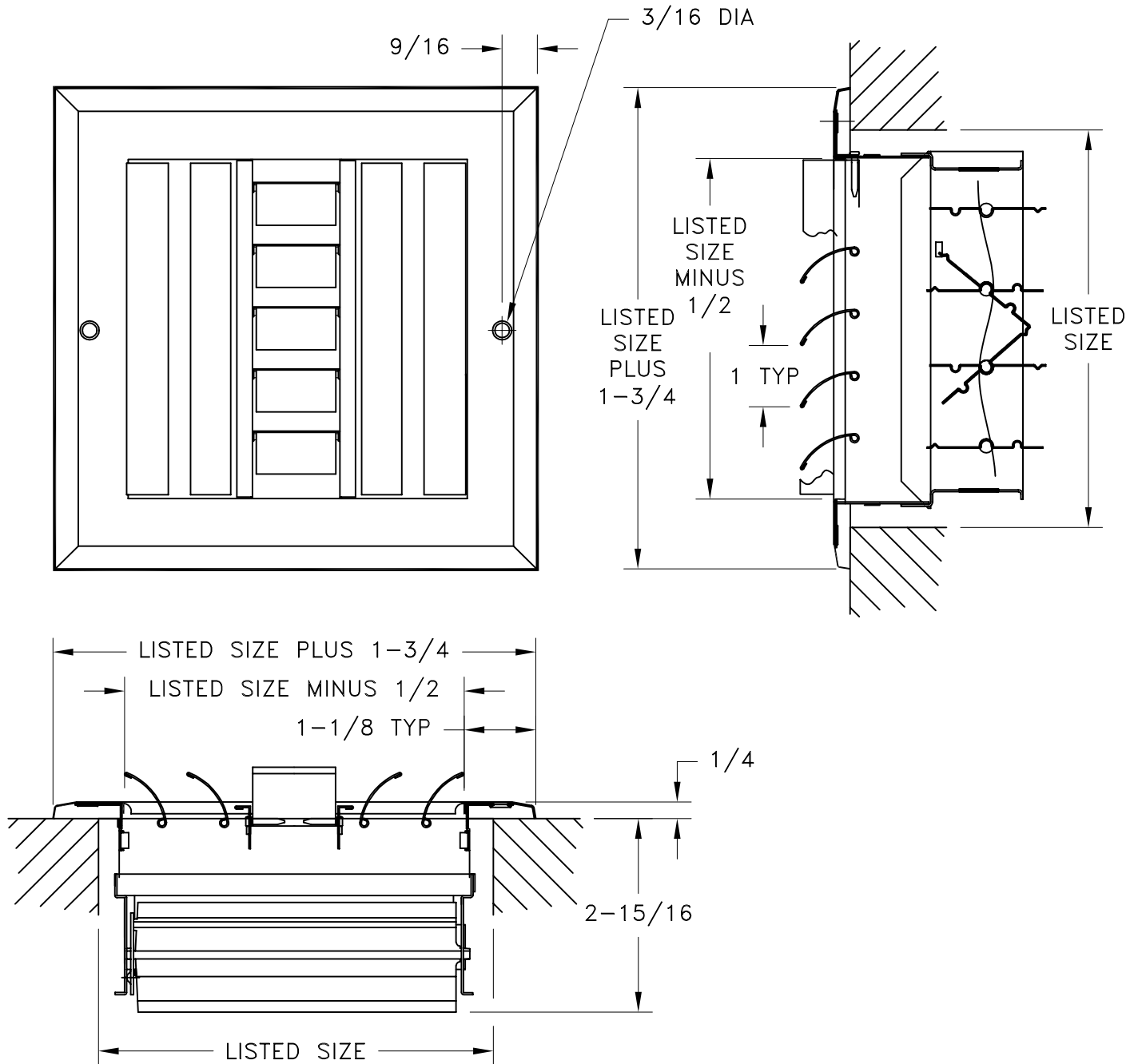


- ALUMINUM FACE, PAINTED STEEL OPPOSED BLADE DAMPER
- ADJUSTABLE CURVED BLADES
- MINIMUM SIZE = 6 X 6
- MAXIMUM SIZE = 14 X 14
- FINISH: WHITE (W) ENAMEL



|                   |  |               |         |
|-------------------|--|---------------|---------|
| JOB NAME: _____   | SUBMITTED BY: _____  | DATE: 4/10/01 | SD-2508 |
| LOCATION: _____   | <b>A613-OB</b><br>Aluminum, Curved Blade Register<br>With Painted Steel<br>Opposed Blade Damper<br>3-Way Air Pattern |               |         |
| ARCHITECT: _____  |  |               |         |
| ENGINEER: _____   |  |               |         |
| CONTRACTOR: _____ |  |               |         |