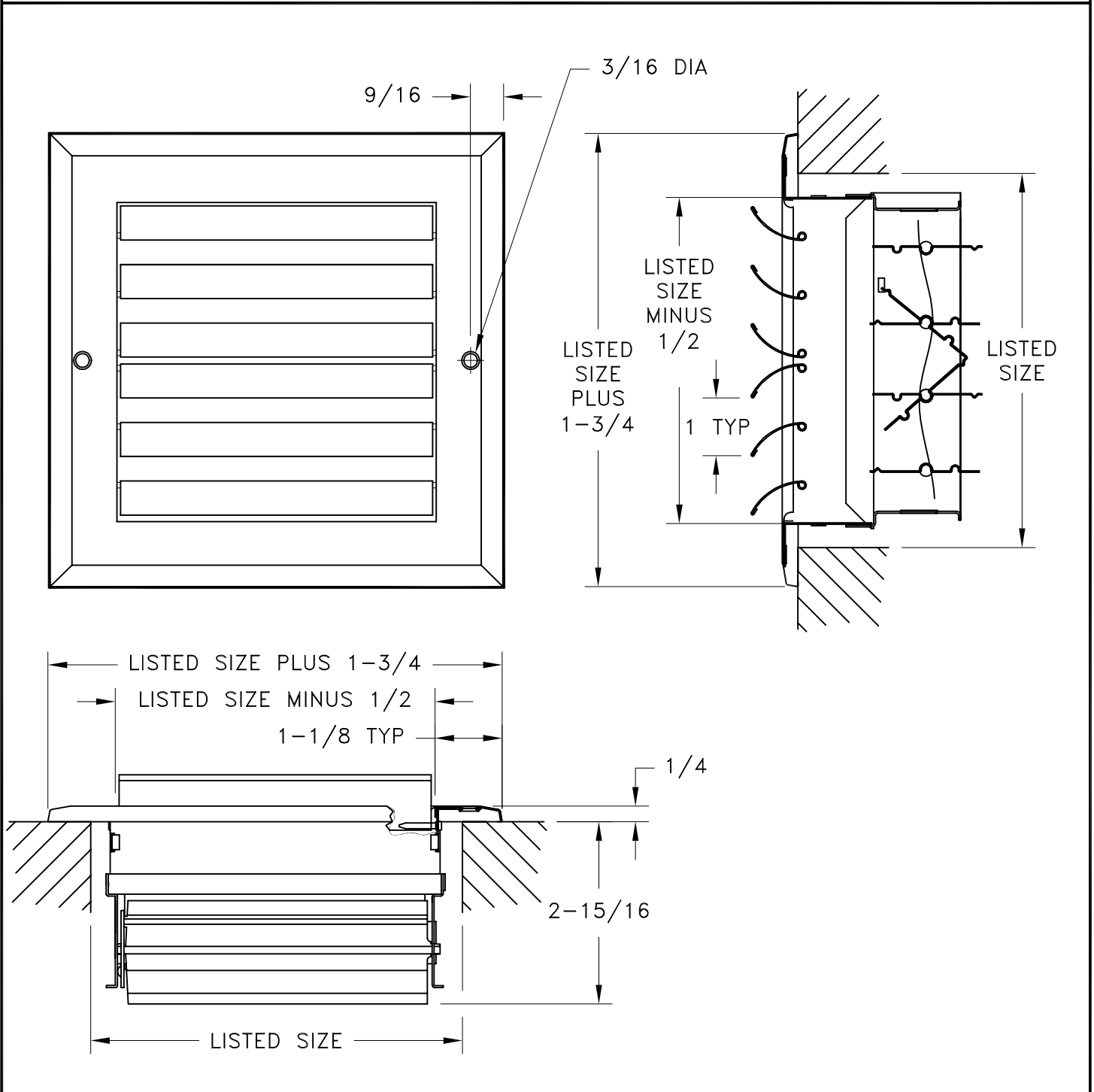


- ALUMINUM FACE, GALVANIZED STEEL OPPOSED BLADE DAMPER
- ADJUSTABLE CURVED BLADES
- MINIMUM SIZE = 8 X 8
- MAXIMUM SIZE = 14 X 8
- FINISH: WHITE (W) ENAMEL



JOB NAME: _____	SUBMITTED BY: _____	DATE: 4/10/01	SD-2507
LOCATION: _____		<b>A612-OB</b> Aluminum, Curved Blade Register With Galvanized Steel Opposed Blade Damper 2-Way Air Pattern	
ARCHITECT: _____			
ENGINEER: _____			
CONTRACTOR: _____			