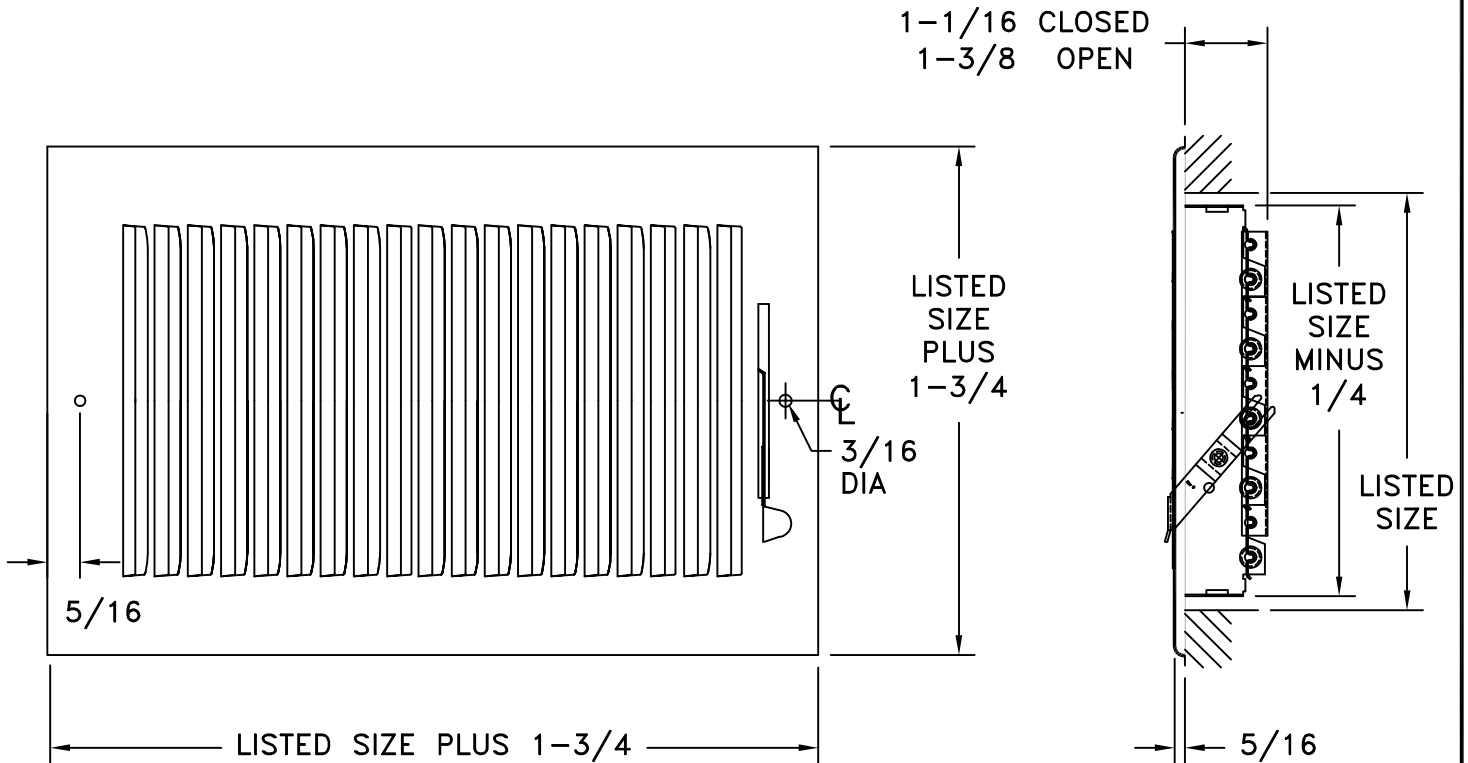
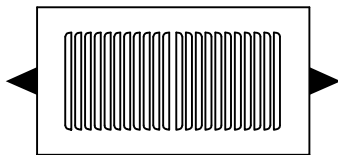


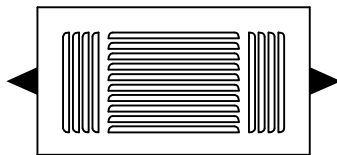
- ALL STEEL CONSTRUCTION
- INTEGRAL MULTI-SHUTTER DAMPER W/ METAL LEVER
- 1/2 INCH SPACED FINS SET AT 40 DEGREES
- SIZES OFFERED VARY BY FACE STYLE
- FOR HEATING OR COOLING
- FINISH: WHITE (W) ENAMEL



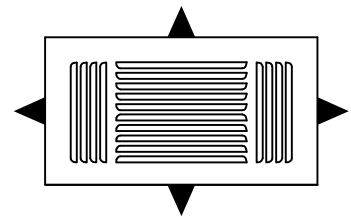
681M



682M



683M



684M

DAMPER AND DIMENSIONS ARE TYPICAL FOR ALL DEFLECTIONS

JOB NAME: _____	SUBMITTED BY: _____	DATE: 4/29/08	SD-2440
LOCATION: _____		<p>680M Stamped Steel Ceiling Or Sidewall Register</p>	
ARCHITECT: _____			
ENGINEER: _____			
CONTRACTOR: _____			