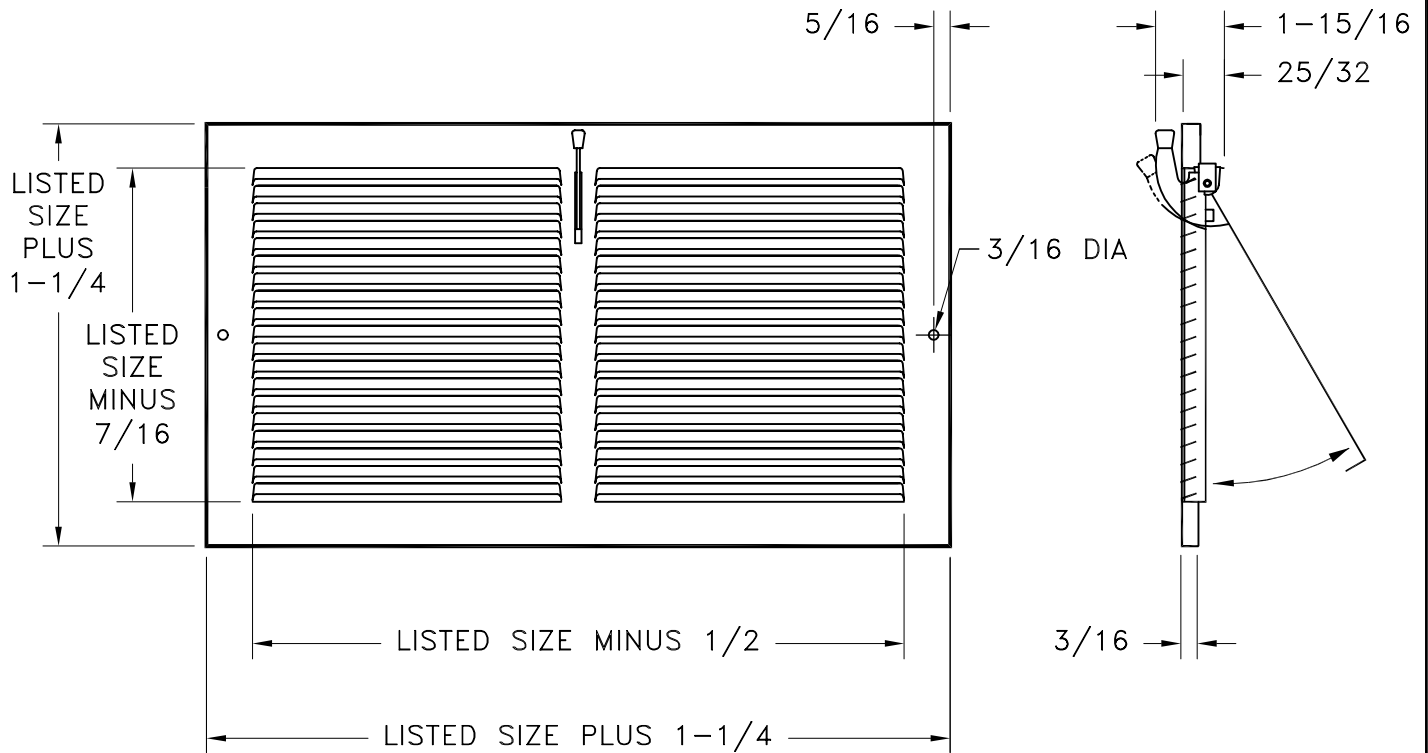


- ALL STEEL CONSTRUCTION
- 1/3 INCH SPACED FINS SET AT 20 DEGREES
- INTEGRAL POSITIVE VOLUME CONTROL DAMPER
- MINIMUM SIZE = 8 X 4
- MAXIMUM SIZE = 14 X 6
- FINISH: WHITE (W) ENAMEL FINISH



JOB NAME: _____	SUBMITTED BY: _____	DATE: 4/21/00	SD-2425
LOCATION: _____		651 Steel Sidewall Register	
ARCHITECT: _____			
ENGINEER: _____			
CONTRACTOR: _____			