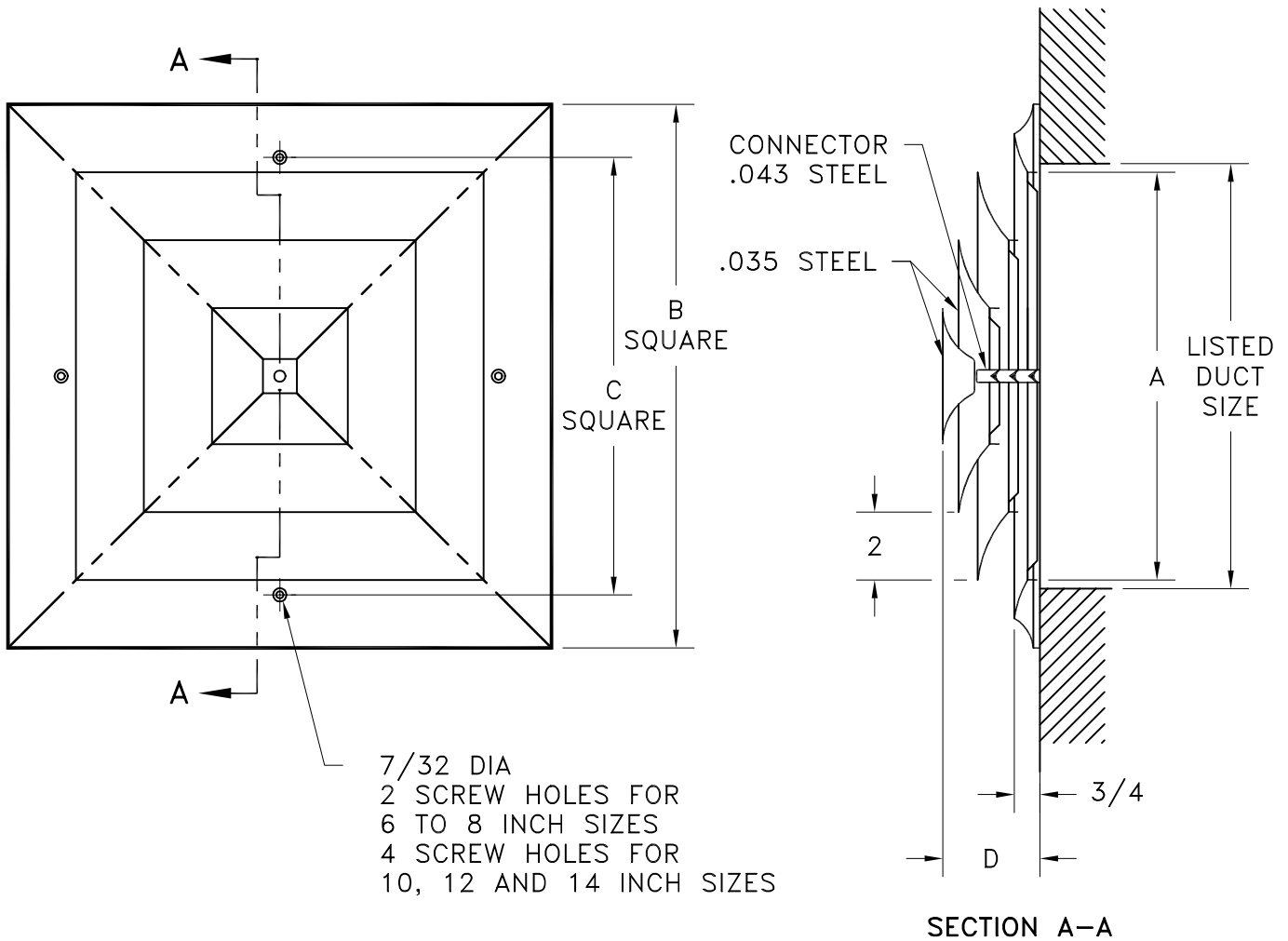


- ALL STEEL CONSTRUCTION
- OPTIONAL STEEL INSTALLATION FRAME, BUTTERFLY DAMPER OR OPPOSED BLADE DAMPER
- FINISH: WHITE (W) ENAMEL



SIZE	A	B	C	D	NO. OF RINGS
6	5-3/4	11-1/2	6-1/2	1-25/32	3
8	7-3/4	13-1/2	8-1/2	2-31/64	3
10	9-3/4	15-1/2	10-1/2	2-31/64	3
12	11-3/4	17-1/2	12-1/2	3-1/16	4
14	13-3/4	19-1/2	14-1/2	3-1/16	4

JOB NAME: _____	SUBMITTED BY: _____	DATE: 4/21/00	SD-2213
LOCATION: _____	<p>24 Steel Square Diffuser Step Down Face Sizes 6 - 14 Inch</p>		
ARCHITECT: _____			
ENGINEER: _____			
CONTRACTOR: _____			

