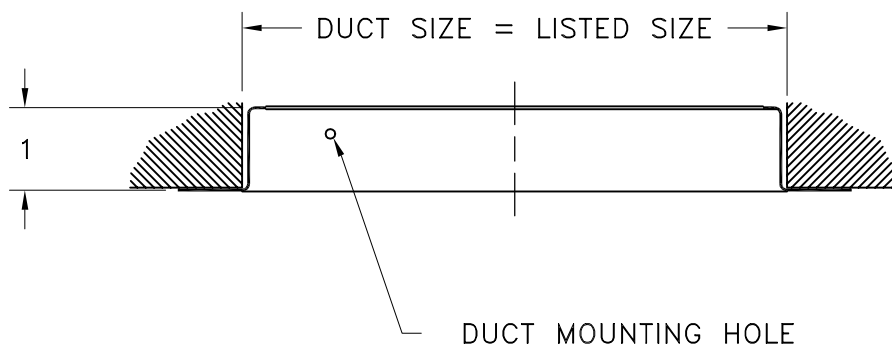
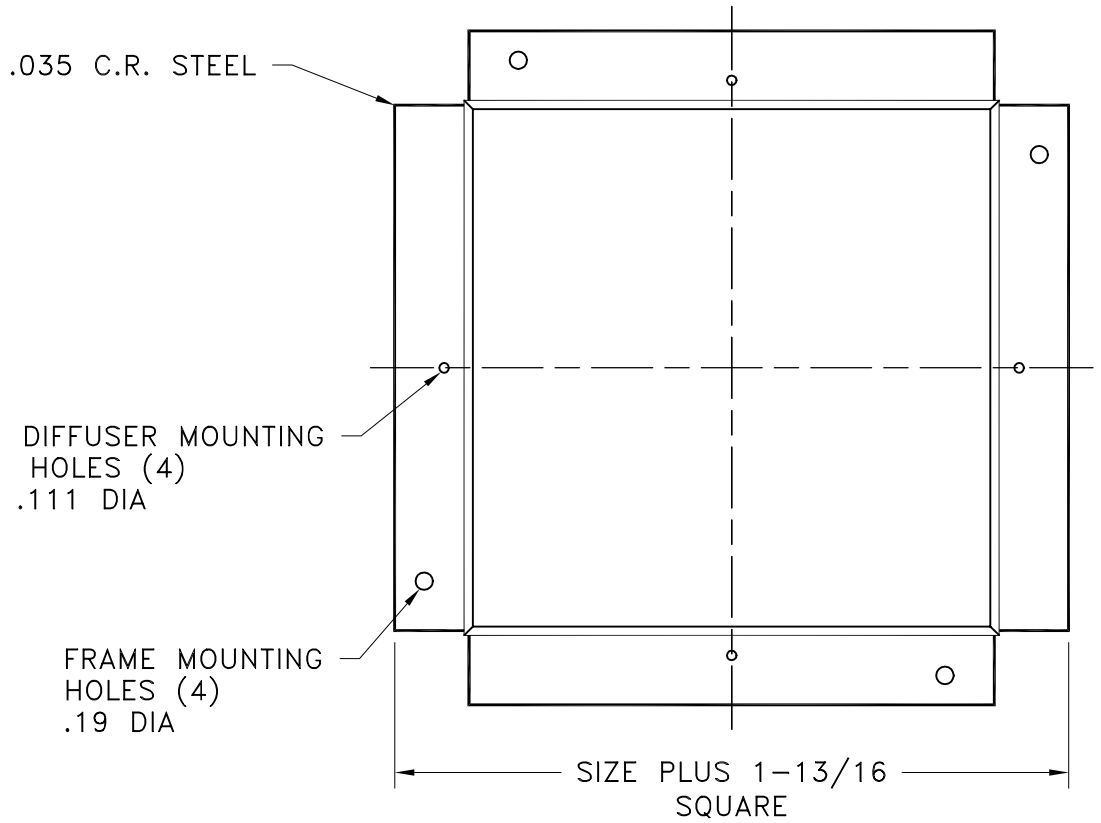


- ALL STEEL CONSTRUCTION
- MAXIMUM SIZE AVAILABLE = 24 X 24
- FINISH: GOLDEN SAND (GS) ENAMEL



JOB NAME: _____	SUBMITTED BY: _____	DATE: 8/17/99	SD-2210
LOCATION: _____	NO. 21 Installation Frame		
ARCHITECT: _____			
ENGINEER: _____			
CONTRACTOR: _____			