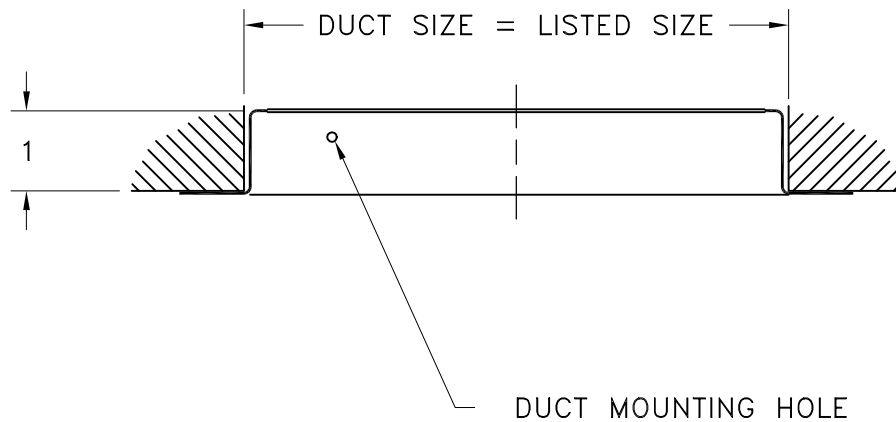
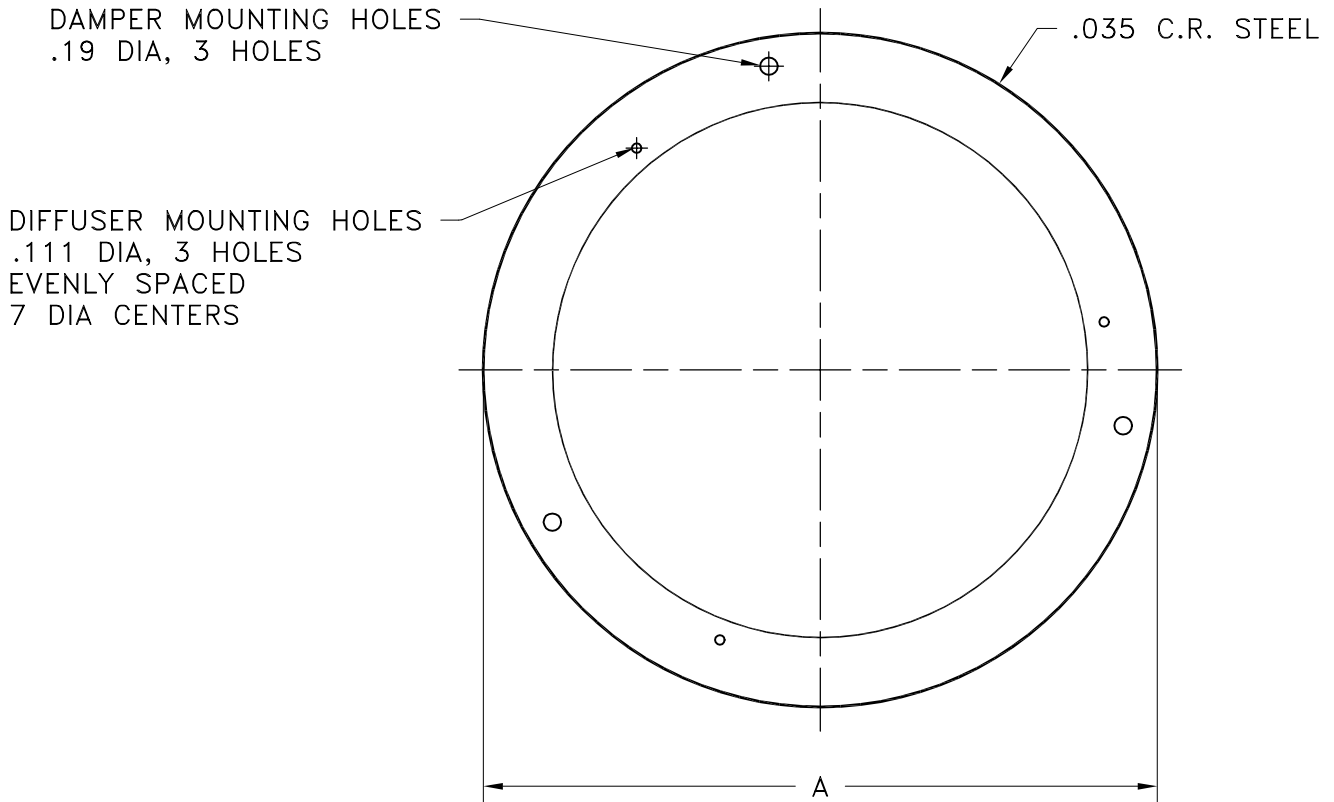


- ALL STEEL CONSTRUCTION
- FINISH: GOLDEN SAND (GS) ENAMEL



SIZE	A
6	7-1/2
8	9-1/2
10	10-7/8
12	12-7/8
14	14-7/8
18	18-13/16

JOB NAME: _____	SUBMITTED BY: _____	DATE: 2/04/02	SD-2200
LOCATION: _____	<p>NO. 11 Duct Ring</p>		
ARCHITECT: _____			
ENGINEER: _____			
CONTRACTOR: _____			