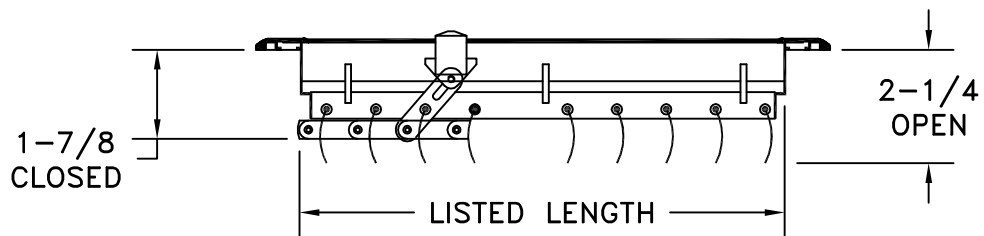
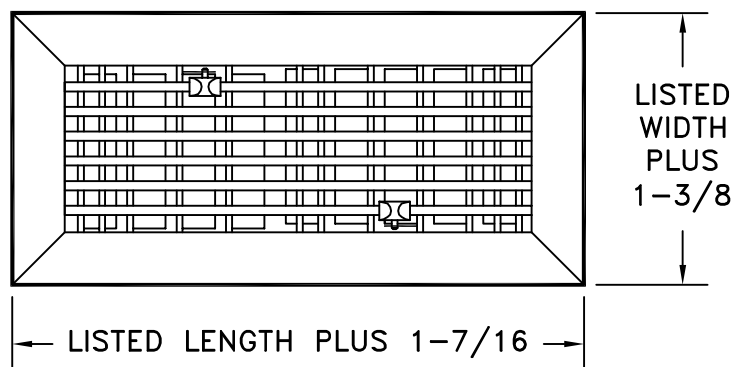
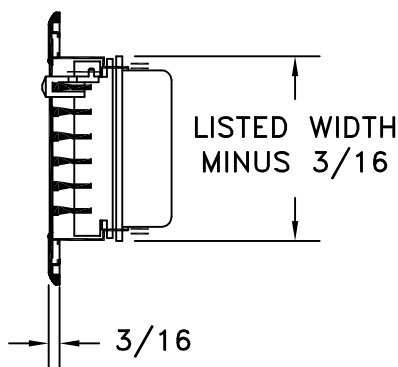


- ALL EXTRUDED ALUMINUM CONSTRUCTION
- HEAVY CROSS BRACING REINFORCEMENT FOR FLOOR USE
- DUAL DIRECTION MULTI-SHUTTER VALVE FOR ADJUSTABLE AIR PATTERN
- NYLON SLIDE VALVE OPERATORS
- BLADE SPACING ON 1/2 INCH CENTERS WITH 5/16 INCH OPENING BETWEEN BLADES
- FINISH: SATIN ANODIZED (SA)



LISTED SIZE
W X L
2 X 10
2 X 12
2 X 14
4 X 10
4 X 12
4 X 14
6 X 10
6 X 12
6 X 14

JOB NAME: _____	SUBMITTED BY: _____	DATE: 5/2/08	SD-2100
LOCATION: _____		<b>531</b> Extruded Aluminum Floor Diffuser	
ARCHITECT: _____			
ENGINEER: _____			
CONTRACTOR: _____			