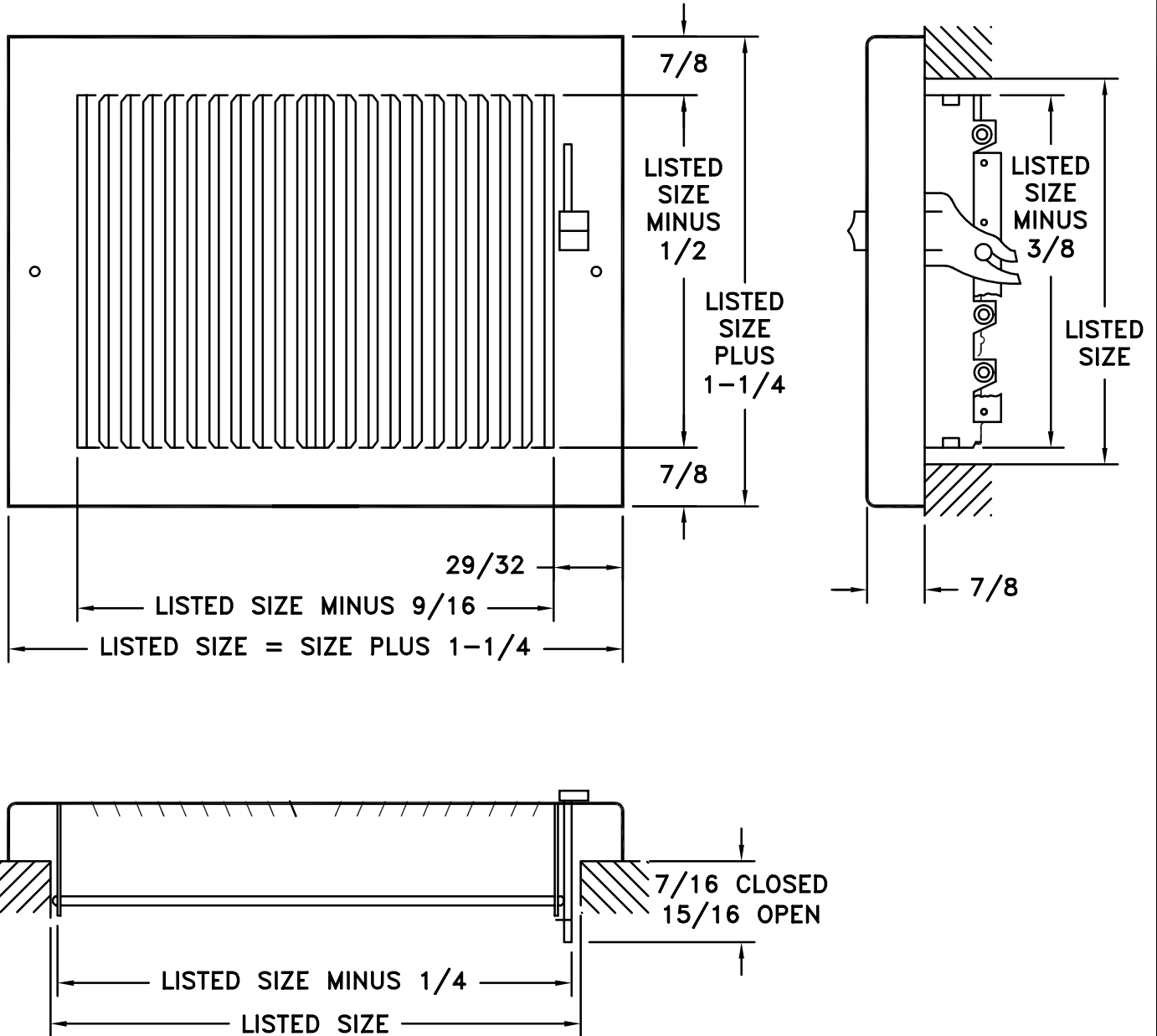


- STEEL CONSTRUCTION
- INTEGRAL MULTI-SHUTTER DAMPER
- 1/3 INCH SPACED FINS SET AT 20 DEGREES
- IDEAL FOR SHALLOW DUCT INSTALLATIONS
- MINIMUM SIZE = 8 X 6
- MAXIMUM SIZE = 14 X 6
- FINISH: WHITE (W) ENAMEL



JOB NAME: _____	SUBMITTED BY: _____	DATE: 1/11/99	SD-2030
LOCATION: _____		664 Steel Baseboard 2-Way Register	
ARCHITECT: _____			
ENGINEER: _____			
CONTRACTOR: _____			