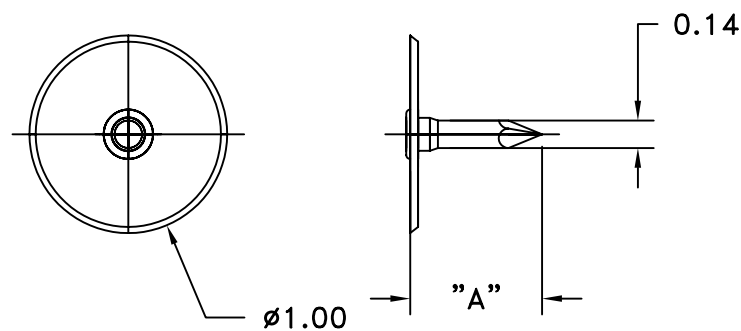
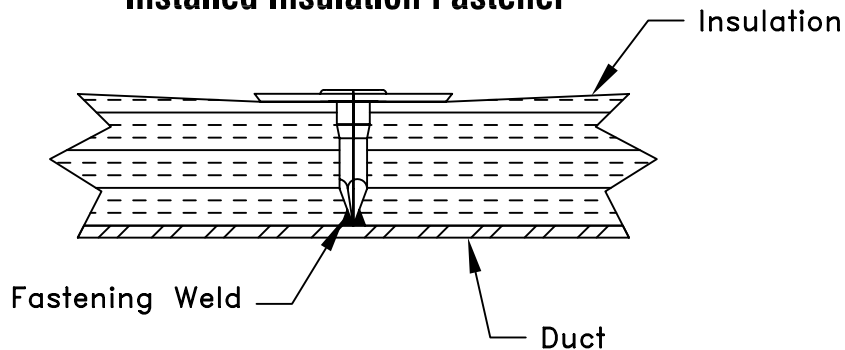


- USED TO FASTEN INSULATION VIA A WELDED CONNECTION (SEE GRAPHIC)
- ZINC PLATED CRS 9 GA HEAD AND PIN
- AVAILABLE IN 1/2", 3/4", 1", 1 1/2", AND 2" SIZES
- FOUR SIDED CHOPPED POINT FOR INSULATION PENETRATION
- CUPPED HEAD MAINTAINS INSULATION FORM BY ELIMINATING TEARS

Insulation Fastener



Installed Insulation Fastener



Model Number	Pin Length "A"	Insulation Thickness	Quantity Per Box
WELD PIN 1/2"	.53	1/2"	5000
WELD PIN 3/4"	.69	3/4"	5000
WELD PIN 1"	.95	1"	5000
WELD PIN 1 1/2"	1.45	1 1/2"	3000
WELD PIN 2"	1.94	2"	3000

JOB NAME: _____
 LOCATION: _____
 ARCHITECT: _____
 ENGINEER: _____
 CONTRACTOR: _____

SUBMITTED BY: _____

DATE: 12/3/04

SD-7073

H WP CH
INSULATION FASTENER