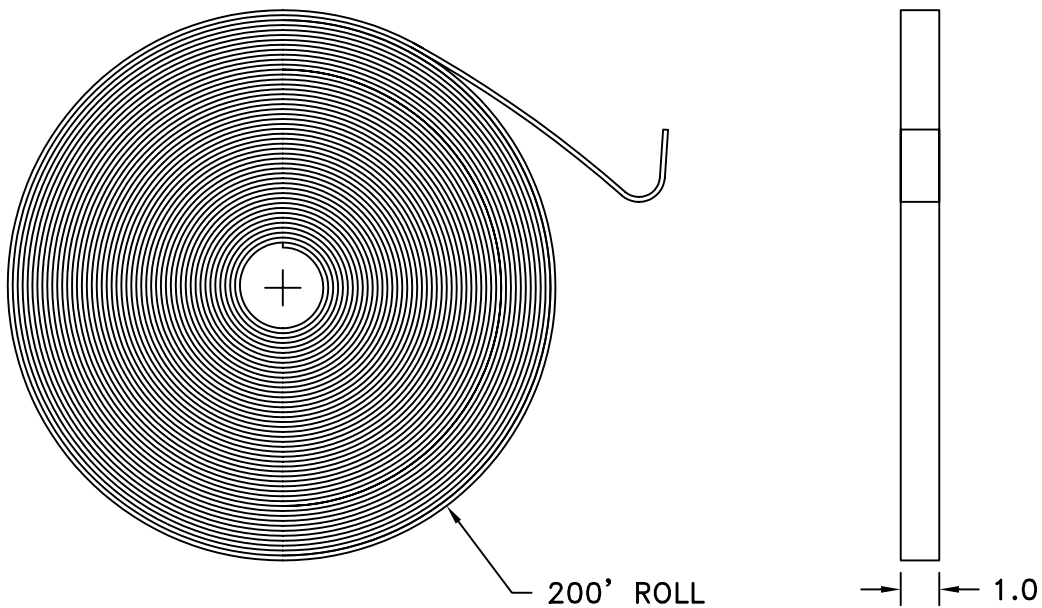


- GREAT PRODUCT FOR HANGING MOST DUCTWORK
- REFERENCE CHART FOR PRODUCT OPTIONS



Product	Product Number
16 Gauge	HS16
18 Gauge	HS18
20 Gauge	HS20
22 Gauge	HS22
24 Gauge	HS24

JOB NAME: _____	SUBMITTED BY: _____	DATE: 5/1/03	SD-7049
LOCATION: _____		HS Hanger Strap	
ARCHITECT: _____			
ENGINEER: _____			
CONTRACTOR: _____			