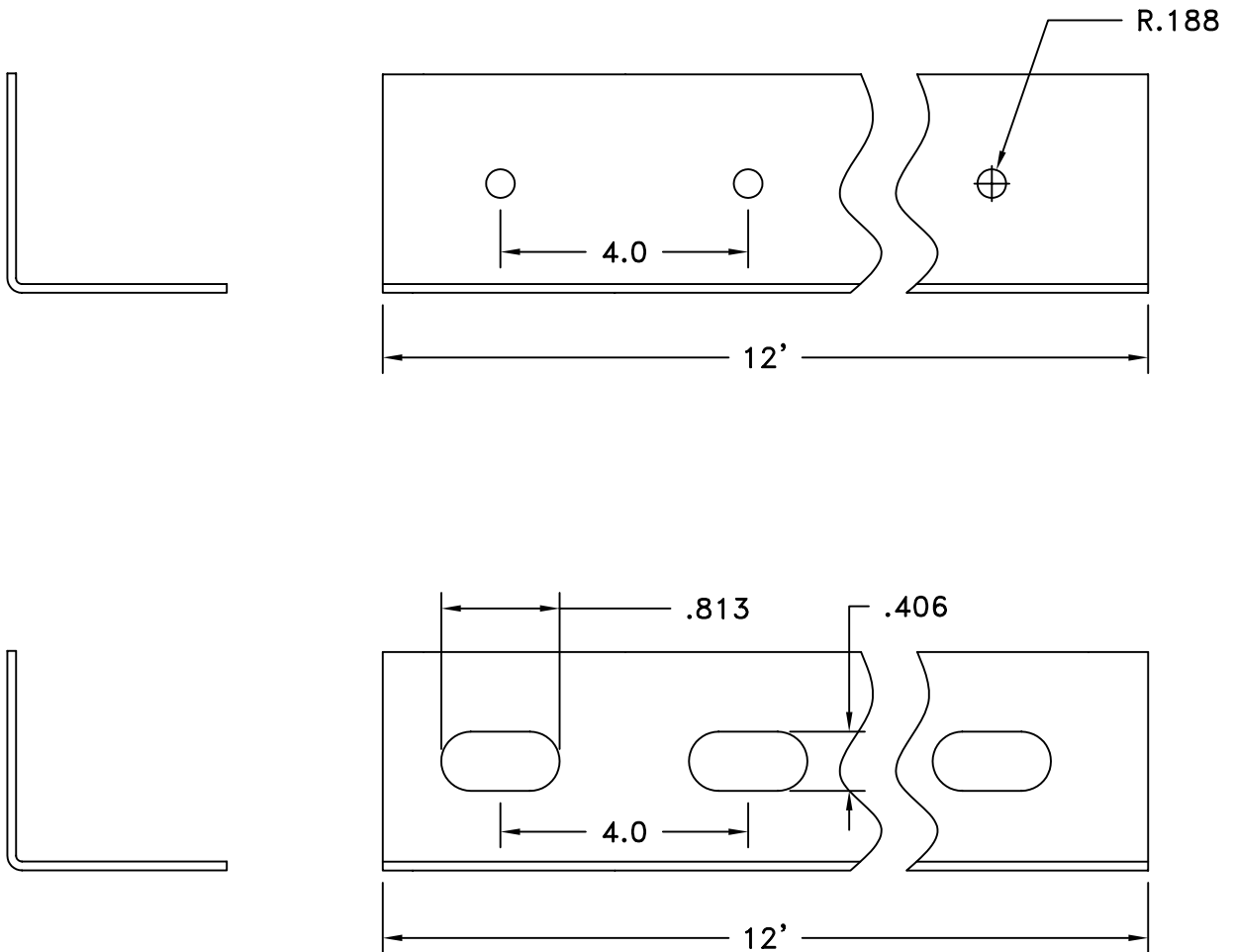


- ROLLFORMED GALVANIZED METAL CONSTRUCTION
- GREAT MULTIPURPOSE PRODUCT FOR REINFORCING AND MOUNTING
- REFERENCE CHART FOR PRODUCT OPTIONS



Punched Angle Product	Product Number
1 1/2" x 1 1/2" 14 GA	PAG1514
1 1/2" x 1 1/2" 16 GA	PAG1516
1 1/2" x 1 1/2" 18 GA	PAG1518
2" x 2" 14 GA	PAG214
2" x 2" 16 GA	PAG216
2" x 2" 18 GA	PAG218
2 1/2" x 2 1/2" 14 GA	PAG2514
2 1/2" x 2 1/2" 16 GA	PAG2516
2 1/2" x 2 1/2" 18 GA	PAG2518

Slotted Angle Product	Product Number
1 1/2" x 1 1/2" 14 GA	SA1514
1 1/2" x 1 1/2" 16 GA	SA1516
1 1/2" x 1 1/2" 18 GA	SA1518
2" x 2" 14 GA	SA214
2" x 2" 16 GA	SA216
2" x 2" 18 GA	SA218
2 1/2" x 2 1/2" 14 GA	SA2514
2 1/2" x 2 1/2" 16 GA	SA2516
2 1/2" x 2 1/2" 18 GA	SA2518

JOB NAME: _____	SUBMITTED BY: _____	DATE: 4/30/03	SD-7048
LOCATION: _____		PAG AND SA Punched and Slotted Angle	
ARCHITECT: _____			
ENGINEER: _____			
CONTRACTOR: _____			