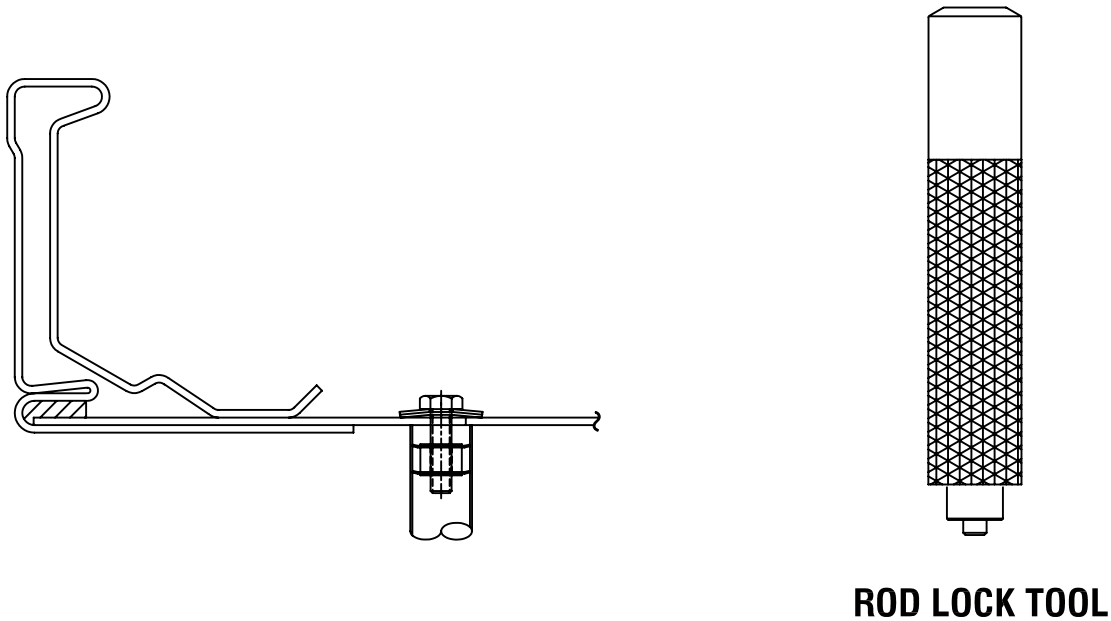


SUBMITTAL DRAWING

- CONSISTS OF LOCK NUT, GRADE 5 BOLT, AND GASKETED WASHER
- AVAILABLE IN 1/2" AND 3/4" SIZES
- FOR USE WITH BOTH JOINT AND CENTER TIE ROD APPLICATIONS
- PULL TESTED TO OVER 1900 LBS
- USE ROD LOCK TOOL FOR EASY INSTALLATION



| Product | Product Number |
|---------------|----------------|
| 1/2" Rod Lock | RDL12 |
| 3/4" Rod Lock | RDL34 |
| Rod Lock Tool | RDLTL |

| | | | |
|-------------------|---------------------|------------------------|---------|
| JOB NAME: _____ | SUBMITTED BY: _____ | DATE: 11/25/03 | SD-7041 |
| LOCATION: _____ | | RDL Rod Lock | |
| ARCHITECT: _____ | | | |
| ENGINEER: _____ | | | |
| CONTRACTOR: _____ | | | |