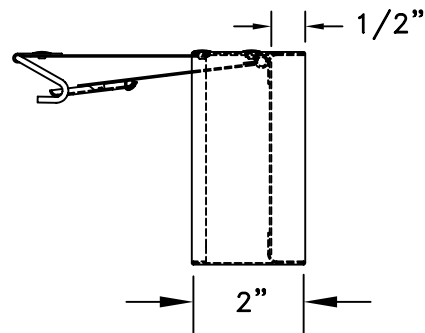
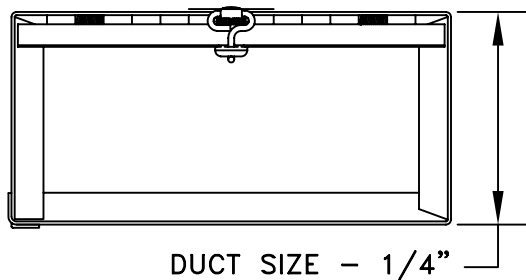
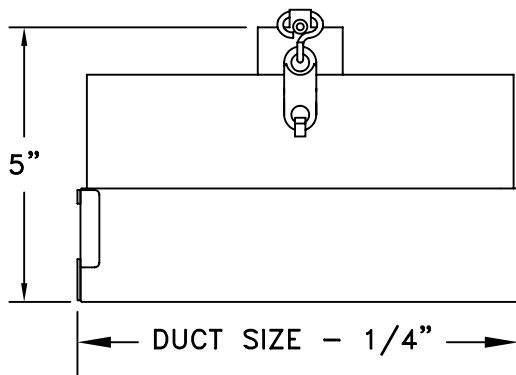


- TESTED IN ACCORDANCE TO UL 555C STANDARD FOR CEILING DAMPERS
- MEETS REQUIREMENTS OF NFPA 90A
- LISTED WITH CALIFORNIA STATE FIRE MARSHALL: LISTING #3225-1577:101
- ROLLFORMED 22 GAUGE STEEL FRAME AND BLADE
- STAINLESS STEEL SPRING HINGE
- FUSIBLE LINK AVAILABLE IN 165°F OR 212°F
- AVAILABLE SIZES ARE 8"x4", 10"x4", OR 12"x4"
- REFERENCE SCRD SERIES SIZING CHART FOR DAMPER SIZING
- REFERENCE SCRD SERIES INSTALLATION INSTRUCTIONS



JOB NAME: _____	SUBMITTED BY: _____	DATE: 04/26/05	SD-7024
LOCATION: _____		SCRDSBN	
ARCHITECT: _____		"S" Series Single Blade CRD	
ENGINEER: _____			
CONTRACTOR: _____			