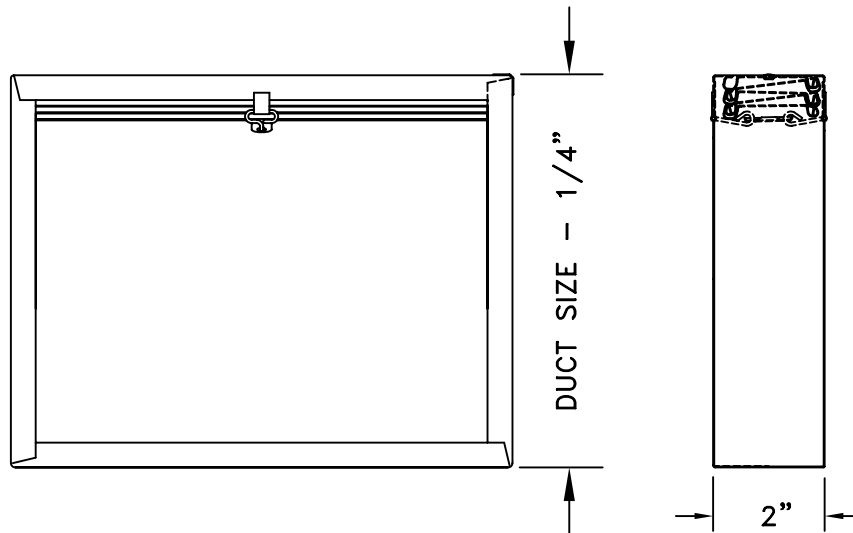
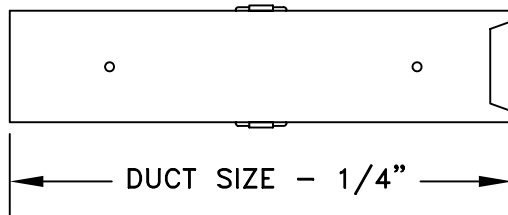


SUBMITTAL DRAWING

- TESTED IN ACCORDANCE TO UL 555 STANDARD FOR FIRE DAMPERS
- MEETS REQUIREMENTS OF NFPA 90A
- LISTED WITH CALIFORNIA STATE FIRE MARSHALL: LISTING #3225-1577:100
- 3 HOUR RATED FOR USE IN 4 HOUR SEPARATIONS OR LESS
- ROLLFORMED 22 GAUGE STEEL FRAME AND BLADES
- FUSIBLE LINK AVAILABLE IN 165°F, 212°F OR 286°F
- FOR VERTICAL MOUNTING ONLY
- MAXIMUM SIZE: 48" x 49"
- REFERENCE 85/95 SERIES SIZING CHART FOR DAMPER SIZING
- REFERENCE MODEL 95 SERIES INSTALLATION INSTRUCTIONS



JOB NAME: _____	SUBMITTED BY: _____	DATE: 04/26/05	SD-7014
LOCATION: _____		95VA 95 Series Type A Fire Dampers	
ARCHITECT: _____			
ENGINEER: _____			
CONTRACTOR: _____			