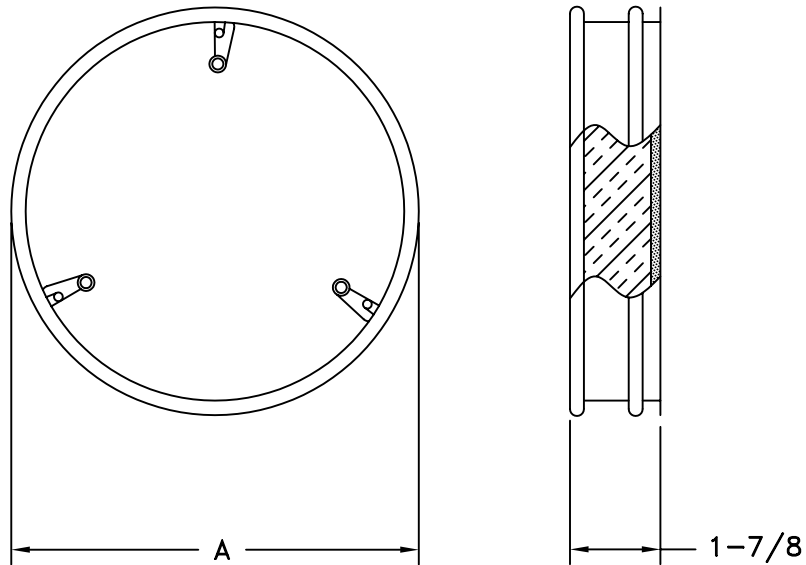


- FORMED FROM GALVANIZED STEEL
- INSULATED AND GASKETED
- TESTED TO 20 INCHES STATIC PRESSURE WITH MINIMUM LEAKAGE
- REFERENCE CHART FOR PRODUCT INFORMATION



PRODUCT INFORMATION

NOMINAL SIZE A	MINIMUM HOLE CUT SIZE *	PRODUCT NUMBER
8	7-1/8	6130 08
10	9-1/8	6130 10
12	11-1/8	6130 12
18	17-1/8	6130 18
24	23-1/8	6130 24

* TOLERANCE +1/32

JOB NAME: _____
 LOCATION: _____
 ARCHITECT: _____
 ENGINEER: _____
 CONTRACTOR: _____

SUBMITTED BY: _____

DATE: 11/25/03

SD-7007

6130
 Spin-In Access Door
 For Flat Duct