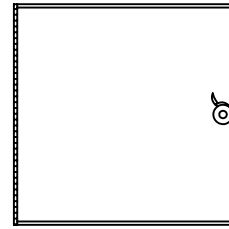
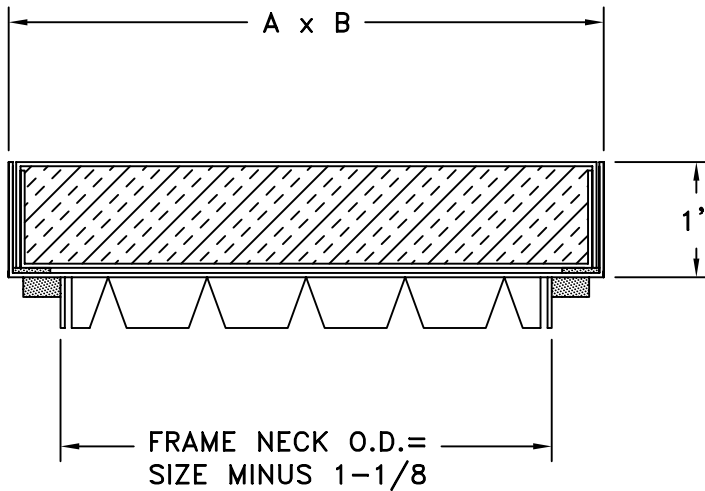
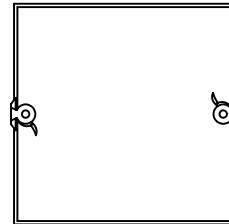


- FORMED 22 GAUGE GALVANIZED STEEL FRAME
- FORMED 24 GAUGE GALVANIZED STEEL DOOR
- INSULATED AND GASKETED
- PREFORMED DOVETAIL TABS FOR EASY INSTALLATION
- INTENDED FOR APPLICATIONS UP TO 4.5 INCHES STATIC PRESSURE
- REFERENCE CHARTS FOR PRODUCT INFORMATION



**MODEL 6140**  
WITH HINGE & CAM



**MODEL 6150**  
WITH CAM LATCHES

6140 PRODUCT INFORMATION

SIZE	A	B	CAMS	PRODUCT NUMBER
6x6	6	6	1	6140 0606
8x8	8	8	1	6140 0808
10x10	10	10	1	6140 1010
12x12	12	12	1	6140 1212
14x14	14	14	1	6140 1414
16x16	16	16	2	6140 1616
18x18	18	18	2	6140 1818
20x20	20	20	2	6140 2020
24x24	24	24	2	6140 2424

6150 PRODUCT INFORMATION

SIZE	A	B	CAMS	PRODUCT NUMBER
6x6	6	6	2	6150 0606
8x8	8	8	2	6150 0808
10x10	10	10	2	6150 1010
12x12	12	12	2	6150 1212
14x14	14	14	2	6150 1414
16x16	16	16	4	6150 1616
18x18	18	18	4	6150 1818
20x20	20	20	4	6150 2020
24x24	24	24	4	6150 2424

JOB NAME: \_\_\_\_\_  
 LOCATION: \_\_\_\_\_  
 ARCHITECT: \_\_\_\_\_  
 ENGINEER: \_\_\_\_\_  
 CONTRACTOR: \_\_\_\_\_

SUBMITTED BY: \_\_\_\_\_

DATE: 11/25/03

SD-7006

**6140 and 6150**  
 Cam and Hinge Access Doors  
 For Standard Pressure Systems