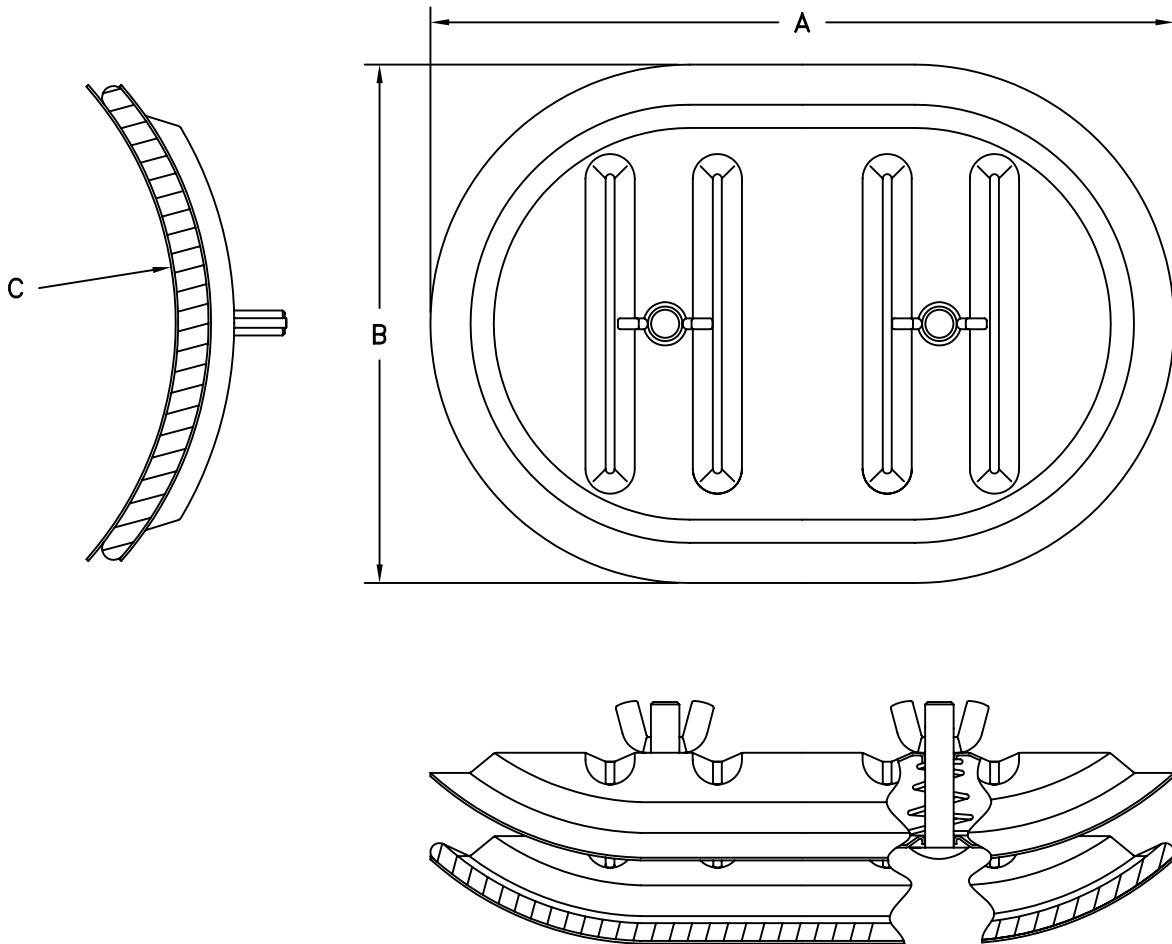


- FORMED FROM BLACK IRON
- HI-TEMPERATURE CERAMIC FIBER ROPE GASKET
- FOR SERVICE UP TO 2000° F.
- SELF-ADHESIVE TEMPLATE INCLUDED FOR ACCURATE CUT-OUT
- REFERENCE CHART FOR PRODUCT INFORMATION



PRODUCT INFORMATION					
Size	A	B	C	Gauge	Product Number
10 x 6	10.375	6.625	6-12	16 GA	6120HT 10XX (06-12)
16 x 12	16.625	12.750	12,14,18	16 GA	6120HT 16XX (12-18)

JOB NAME: _____	SUBMITTED BY: _____	DATE: 11/25/03	SD-7005
LOCATION: _____		6120HT Hi-Temp Access Door For Round Ductwork	
ARCHITECT: _____			
ENGINEER: _____			
CONTRACTOR: _____			