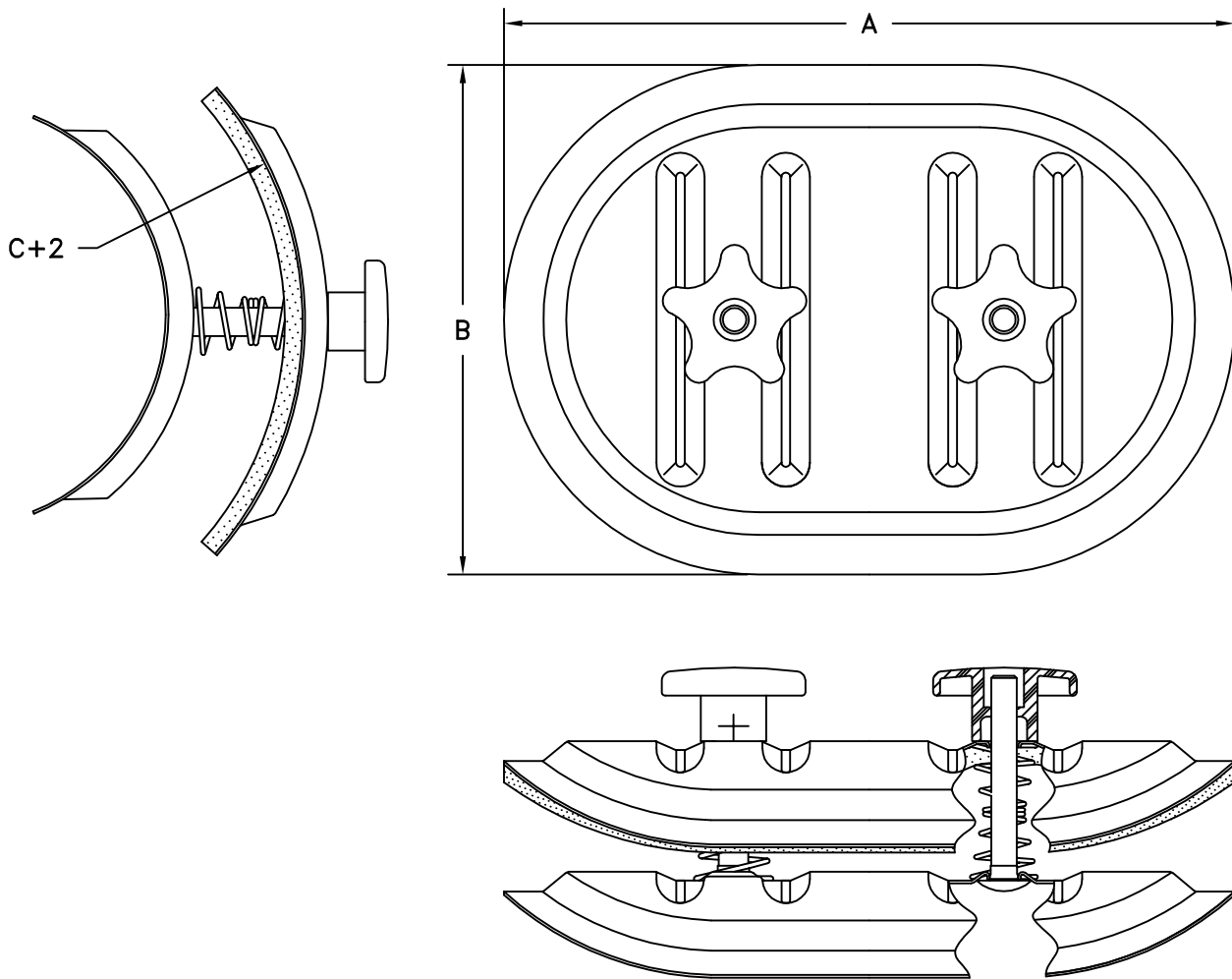


- FORMED FROM GALVANIZED STEEL
- INSULATED AND GASKETED
- INNER PLATE IS 2 INCHES SMALLER IN DIAMETER THAN OUTER PLATE
- SELF-ADHESIVE TEMPLATE INCLUDED FOR ACCURATE CUT-OUT
- REFERENCE CHART FOR PRODUCT INFORMATION



PRODUCT INFORMATION

Size	A	B	C	Gauge	Product Number
8 x 4	8.53	VARIES	6-28	20 GA	6120DW 08XX (06-28)
10 x 6	10.40	VARIES	6-14	20 GA	6120DW 10XX (06-14)
16 x 12	16.38	VARIES	12-24	20 GA	6120DW 16XX (12-24)

JOB NAME: _____
 LOCATION: _____
 ARCHITECT: _____
 ENGINEER: _____
 CONTRACTOR: _____

SUBMITTED BY: _____

DATE: 7/31/08 SD-7003
6120DW
 Double Wall Access Door
 For Round Ductwork