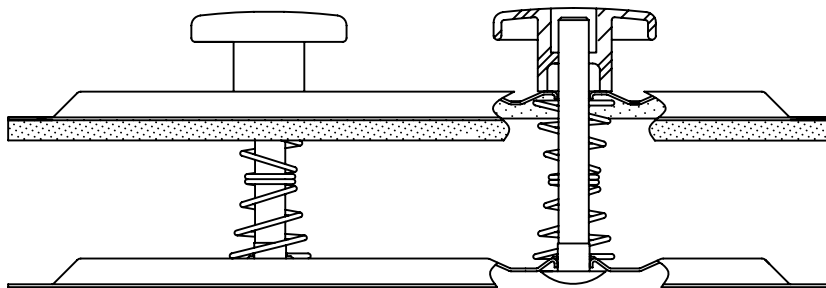
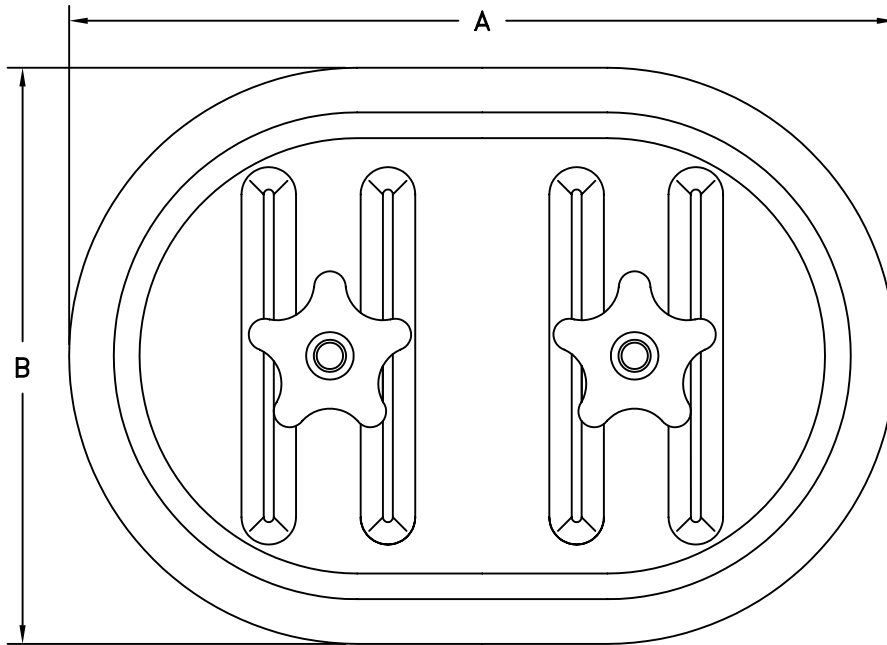


- FORMED FROM GALVANIZED STEEL
- INSULATED AND GASKETED
- SELF-ADHESIVE TEMPLATE INCLUDED FOR ACCURATE CUT-OUT
- REFERENCE CHART FOR PRODUCT INFORMATION



PRODUCT INFORMATION

| Size    | A      | B      | Gauge | Product Number |
|---------|--------|--------|-------|----------------|
| 8 x 4   | 8.531  | 4.531  | 20 GA | 6110DW 0806    |
| 10 x 6  | 10.375 | 6.625  | 20 GA | 6110DW 1006    |
| 16 x 12 | 16.625 | 12.750 | 20 GA | 6110DW 1612    |

JOB NAME: \_\_\_\_\_  
 LOCATION: \_\_\_\_\_  
 ARCHITECT: \_\_\_\_\_  
 ENGINEER: \_\_\_\_\_  
 CONTRACTOR: \_\_\_\_\_

SUBMITTED BY: \_\_\_\_\_

DATE: 11/30/04 | SD-7002

**6110DW**  
 Double Wall Access Door  
 For Flat Ductwork