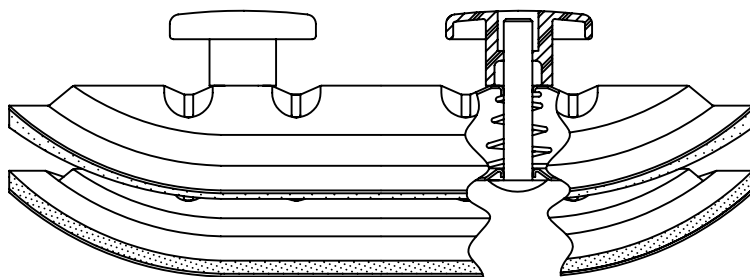
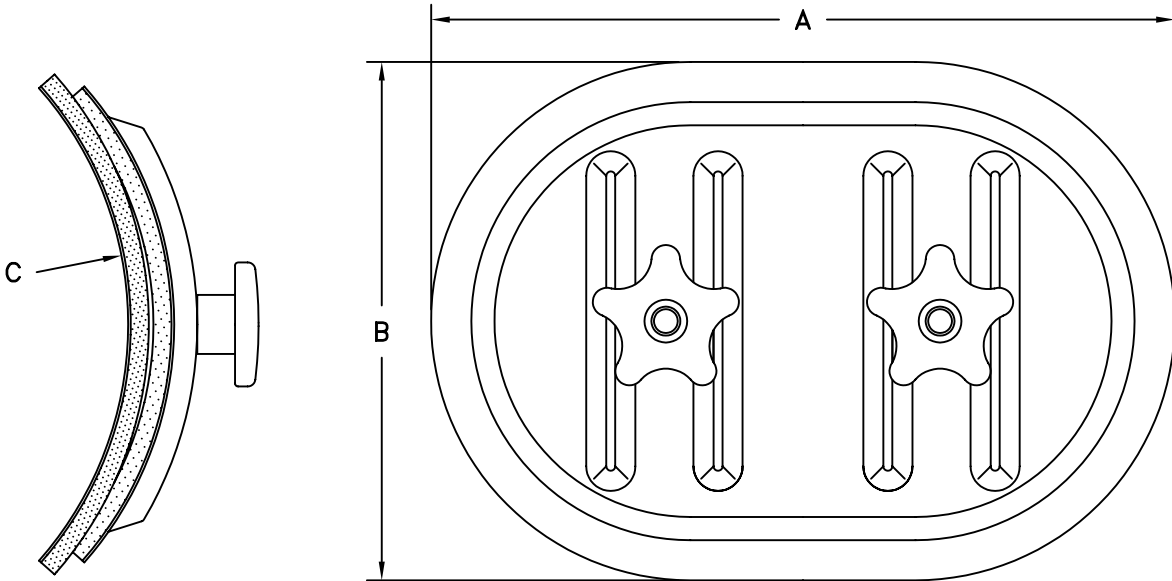


- FORMED FROM GALVANIZED STEEL
- INSULATED AND GASKETED
- TESTED TO 20 INCHES STATIC PRESSURE WITH MINIMUM LEAKAGE
- SELF-ADHESIVE TEMPLATE INCLUDED FOR ACCURATE CUT-OUT
- REFERENCE CHART FOR PRODUCT OPTIONS



PRODUCT INFORMATION

Size	A	B	C	Gauge	Product Number
8 x 4	8.531	VARIES	4-28	20 GA	6120 08XX (04-28)
10 x 6	10.375	VARIES	5-30	20 GA	6120 10XX (05-30)
16 x 12	16.625	VARIES	12-36	20 GA	6120 16XX (12-36)

JOB NAME: _____
 LOCATION: _____
 ARCHITECT: _____
 ENGINEER: _____
 CONTRACTOR: _____

SUBMITTED BY: _____

DATE: 11/30/04

SD-7001

6120
 Single Wall Access Door
 For Round Ductwork