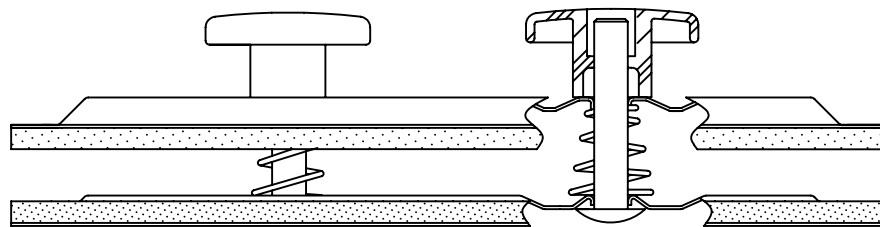
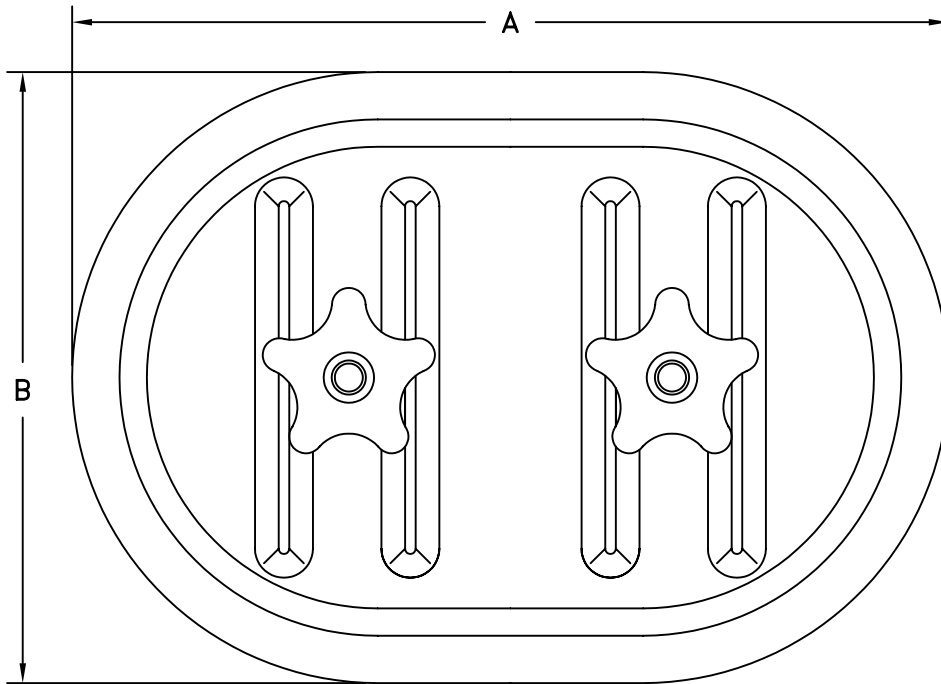


- FORMED FROM GALVANIZED STEEL
- INSULATED AND GASKETED
- TESTED TO 20 INCHES STATIC PRESSURE WITH MINIMUM LEAKAGE
- SELF-ADHESIVE TEMPLATE INCLUDED FOR ACCURATE CUT-OUT
- REFERENCE CHART FOR PRODUCT SIZES



PRODUCT INFORMATION

Size	A	B	Gauge	Product Number
8 x 4	8.531	4.531	20 GA	6110 0806
10 x 6	10.375	6.625	20 GA	6110 1006
16 x 12	16.625	12.750	20 GA	6110 1612

JOB NAME: _____
 LOCATION: _____
 ARCHITECT: _____
 ENGINEER: _____
 CONTRACTOR: _____

SUBMITTED BY: _____

DATE: 11/30/04

SD-7000

6110
 Single Wall Access Door
 For Flat Ductwork