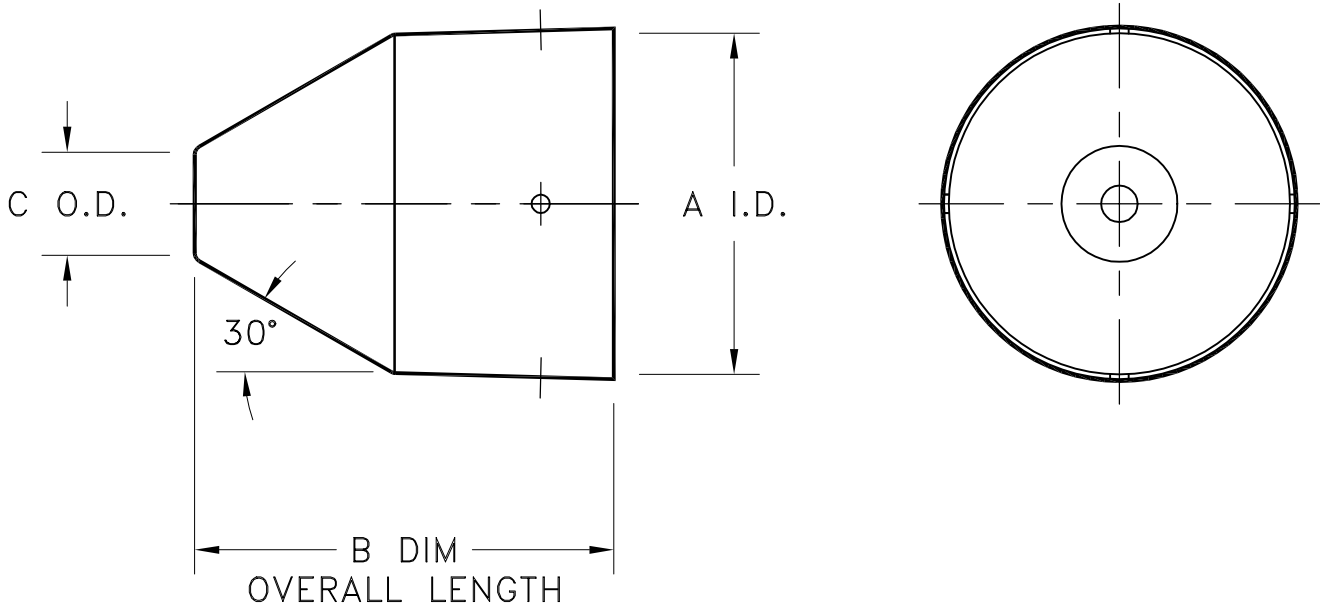


- MATERIAL: .05 STEEL
- SIZES: 3 THROUGH 8 INCH DIAMETER



CAT. NO.	A I.D.	B	C O.D.
3RLPC	3-1/2	4-5/16	1-1/16
4RLPC	4-1/2	5-1/16	1-1/4
5RLPC	5-1/2	5-1/16	2-1/4
6RLPC	6-1/2	5-1/16	3-1/4
7RLPC	7-1/2	5-1/16	4-1/4
8RLPC	8-1/2	5-1/16	5-1/4

JOB NAME: _____	SUBMITTED BY: _____	DATE: 1/11/99	SD-3402
LOCATION: _____	<b>Chimney Liner System Pulling Cone RLPC</b>		
ARCHITECT: _____			
ENGINEER: _____			
CONTRACTOR: _____			