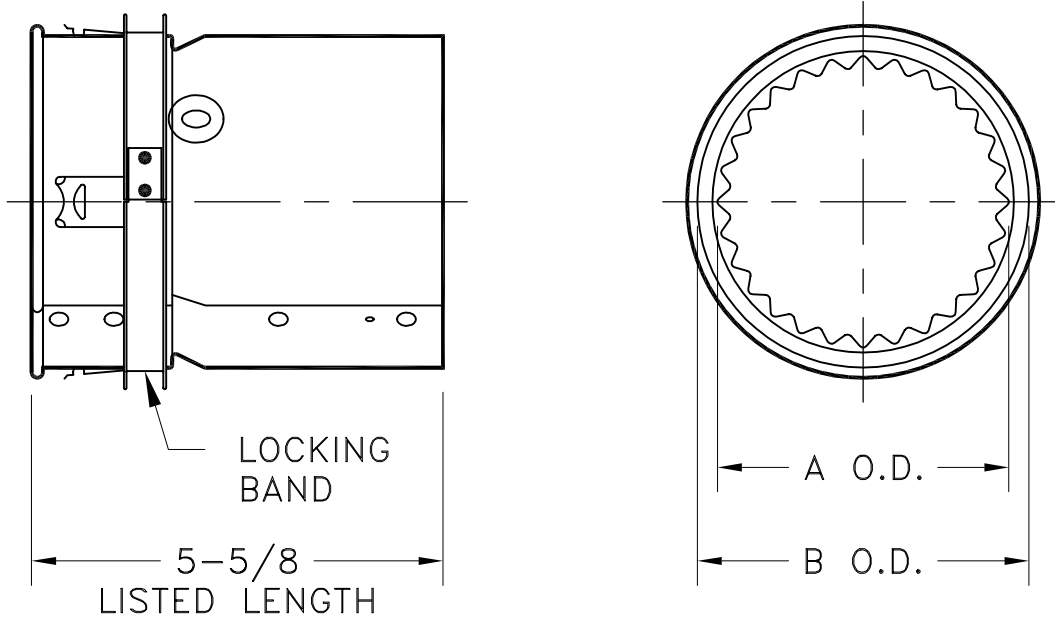


- MATERIAL:
INNER — .012 THICK ALUMINUM
OUTER — .018 THICK, G-90 GALVANIZED STEEL
- SIZES: 3 THROUGH 8 INCH DIAMETER



| CAT. NO. | A O.D. | B O.D. |
|----------|--------|--------|
| 3RLA | 3.00 | 3.50 |
| 4RLA | 4.00 | 4.50 |
| 5RLA | 5.00 | 5.50 |
| 6RLA | 6.00 | 6.50 |
| 7RLA | 7.00 | 8.00 |
| 8RLA | 8.00 | 9.00 |



| | | | |
|-------------------|---|---------------|---------|
| JOB NAME: _____ | SUBMITTED BY: _____ | DATE: 1/27/99 | SD-3401 |
| LOCATION: _____ | Chimney Liner System Female B-Vent Adapter RLA | | |
| ARCHITECT: _____ | | | |
| ENGINEER: _____ | | | |
| CONTRACTOR: _____ | | | |