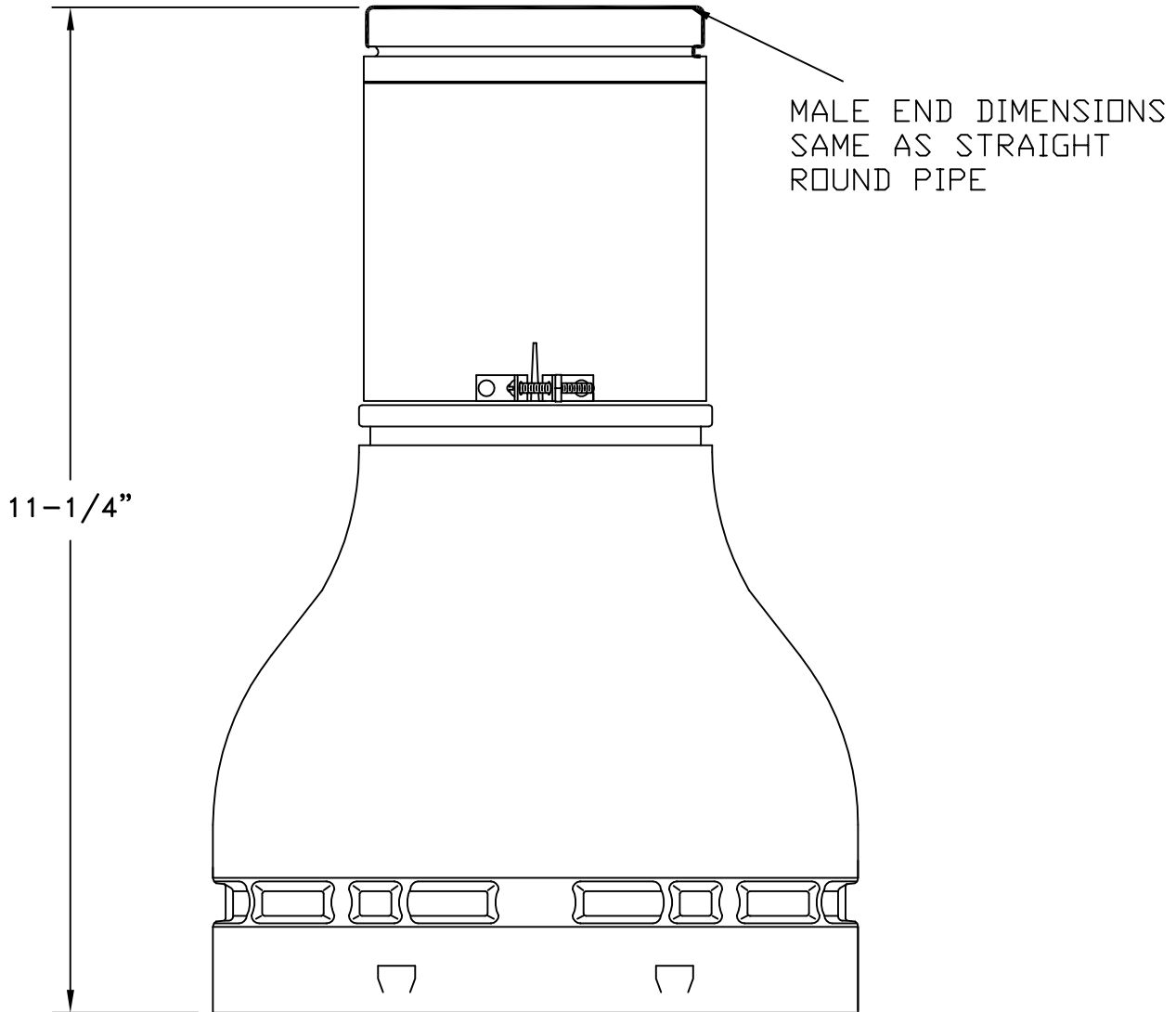


- MATERIAL:
 OUTER - .018 THICK, G-90 GALVANIZED STEEL
 INNER - .016 THICK, ALUMINUM
- FEMALE OVAL (SNAP LOCK STYLE) TO MALE ROUND (LOCK RING STYLE)



JOB NAME: _____	SUBMITTED BY: _____	DATE: 3/5/08	SD-3208
LOCATION: _____		Type B Gas Vent Oval To Round Adapter 40AR	
ARCHITECT: _____			
ENGINEER: _____			
CONTRACTOR: _____			